

Bella

Design: G. & R. Fauciglietti



Description

A classic piece of furniture, the Bella is a collection of chairs and stools upholstered in leather or fabric with a discreet and timeless allure. The slim form and clean lines ensure this model fits with a discreet presence in spaces with a variety of different styles. Available with or without armrests. Made in Italy.

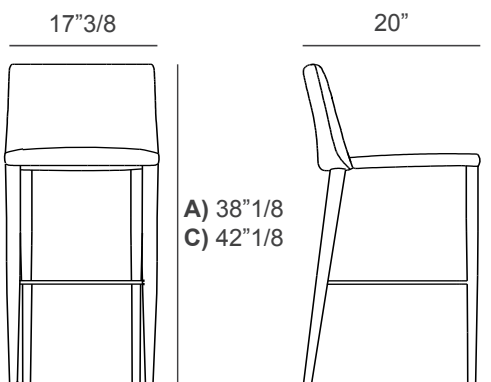
Dimensions

A) 17"3/8W x 20"D x 38"1/8H - **Seat height: 26"3/8** - Cod. FG32015

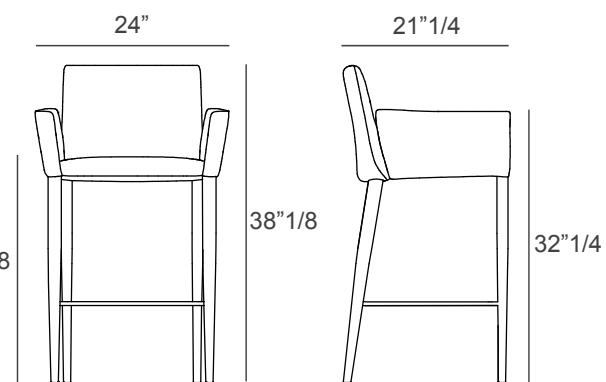
B) 24"W x 21"1/4D x 38"1/8H - **Seat height: 26"3/8 + Armrests height: 32"1/4** - Cod. FG32014

C) 17"3/8W x 20"D x 42"1/8H - **Seat height: 30"3/8** - Cod. FG32016

A & C)



B)



Finishes & Materials

Upholstery: Leather or Fabric.

Frame: Steel.