

Clubby

Design: Christophe Pillet



Description

The Clubby lounge chair features a woven Leather outer shell, and is particularly suited to shared spaces and is most commonly associated with the contract sector, as a result of its compact proportions and the wide range of available upholstery.

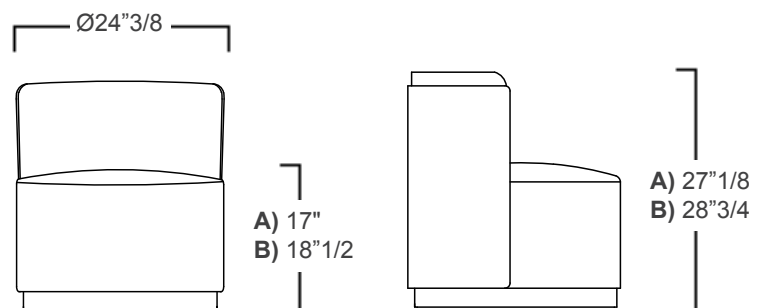
Its versatility and tailored finishes make it a stylish and practical choice for various environments.

Made in Italy.

Dimension

A) $\text{Ø}24\frac{3}{8}$ x $27\frac{1}{8}$ H - **Seat height: 17"** - Cod. FG49330

B) $\text{Ø}24\frac{3}{8}$ x $28\frac{3}{4}$ H - **Seat height: 18"1/2** - Cod. FG49331



Finishes & Materials

Upholstery: Leather.

Swivel Base: Steel.