

## Iki

Design: Christophe Pillet



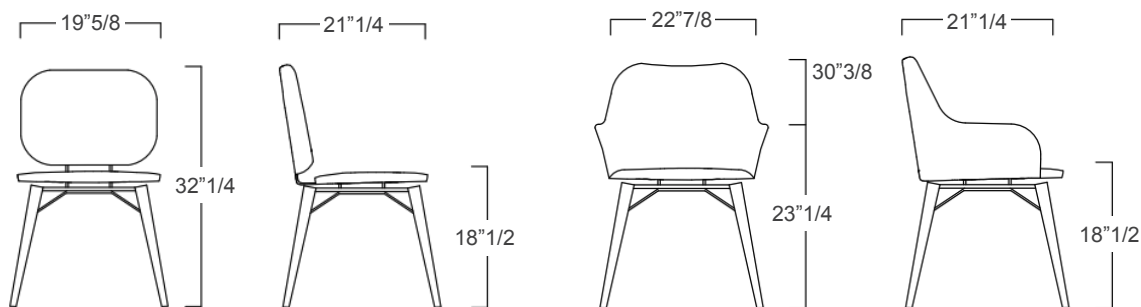
### Description

A harmonious blend of materials, the Iki chair Fabric, Leather or Saddle Leather for the seat and back with metal and wood for the legs. Its elegant design and bold features make it ideal for formal public spaces and contemporary home settings. Made in Italy.

### Dimensions

A) 19"5/8W x 21"1/4D x 32"1/4H - **Seat height: 18"1/2**

B) 22"7/8W x 21"1/4D x 30"3/8H - **Seat height: 18"1/2 - Armrests height: 23"1/4**



A) Without armrests - Cod. FG33305

B) With armrests - Cod. FG33306

### Finishes & Materials

**Upholstery:** Fabric, Leather and Saddle Leather.

**Frame:** Metal.

**Legs:** Ash wood.