

Lilly

Design: Michele di Fonzo



Description

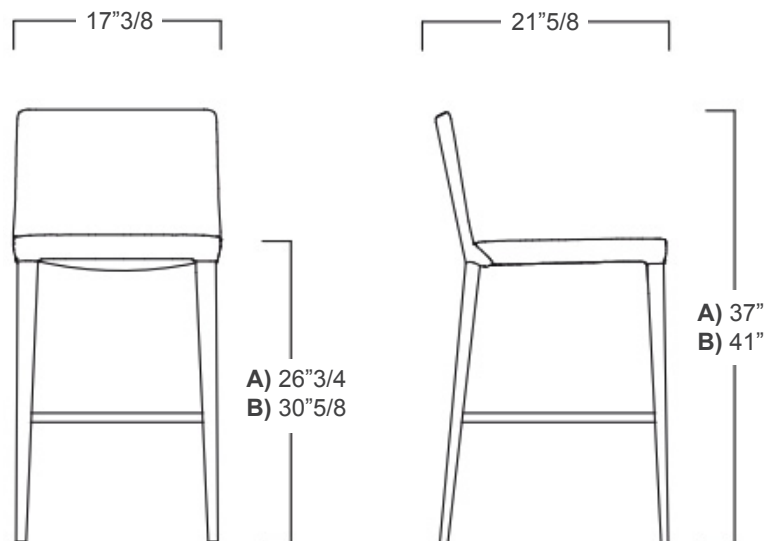
Lightness, contemporary style and balanced proportions form the design ethos of the Lilly.

This collection of stools is fully upholstered in Leather or Saddle Leather. Its simple design is enhanced by careful attention to the balance of proportions, sober lines and refined details. Made in Italy.

Dimensions

A) 17"3/8W x 21"5/8D x 37"H - **Seat height:** 26"3/4
- Cod. FG40802

B) 17"3/8W x 21"5/8D x 41"H - **Seat height:** 30"5/8
- Cod. FG40803



Finishes & Materials

Upholstery: Leather and Saddle Leather.
Frame: Steel.