

Ponza

Design: Gordon Guillaumier



Description

The Ponza stool has a clean, linear design that is simultaneously warm and cosy. Wood, Metal and Leather are combined and carefully measured to create an adjustable-height stool with a comfortable and chic character.

Made in Italy.

Dimensions

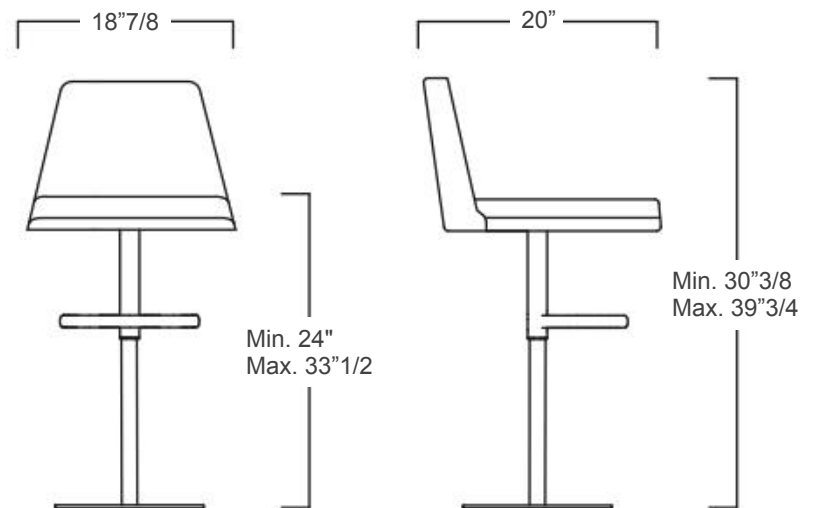
Min. 18"7/8W x 20"D x 30"3/8H

Max. 18"7/8W x 20"D x 39"3/4H

Seat height:

Min. 24"

Max. 33"1/2



Cod. FG40507

Finishes & Materials

Upholstery: Fabric or Leather.

Base: Steel.