

Bek

Design: Giulio Iacchetti



Description

The strength of the modern Bek chair stays in the happy marriage between rigidity and lightness, between the important technical solution with injection reinforced with fiberglass and its simple and defined figure. Not only a beautiful and elegant chair but also a folding chair whose slots on the rear supports emphasize the sliding movement of the seat during opening and closing. Made in Italy.



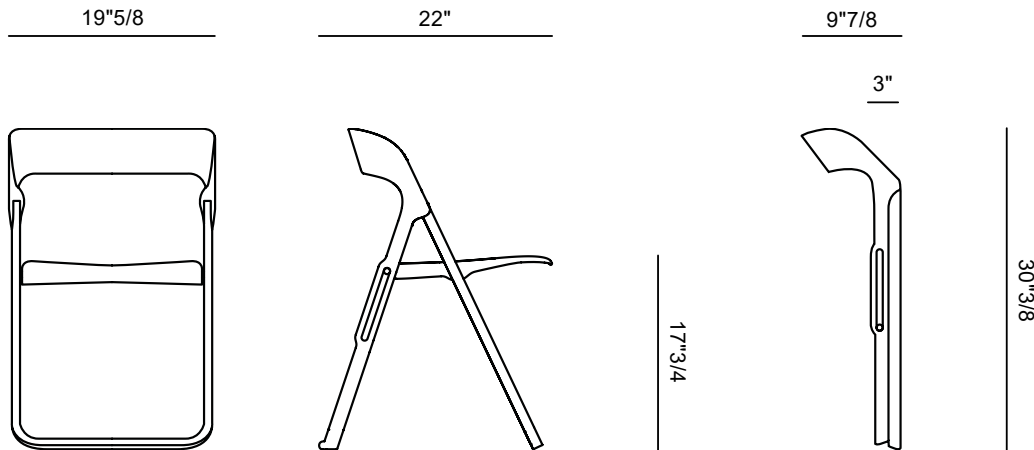
Finishes & Materials

Structure: Matt Polyethylene.

Dimensions

19"5/8W x 22"D x 30"3/8H

SH: 17"3/4



Protected outdoor

Protected product suitable for protected outdoor areas (e.g. covered verandas). Not suitable for environments with rain, fog, dew or persistent humidity. Shelter in a closed area is necessary overnight. Products made from natural materials are however subject to deterioration.



Rain

Product suitable for outdoor environments with normal atmospheric precipitation. In case of persistent rain, shelter in a protected area is necessary. Products made from natural materials are however subject to deterioration.



Seaside

Product suitable for sea areas or with salt spray. Wash frequently.