

Billie

Design: Ludovica + Roberto Palomba



Description

Billie is one of the five elegant families of the sectional sofa collection designed by Ludovica +Roberto Palomba. The aluminum frame, light and ecological, on which all the padded elements are inserted, is the distinctive feature and the common denominator of the collection, expression of the high tailoring craftsmanship of Made in Italy. The various types of seat and padding at different heights of bearing capacity are designed to ensure maximum comfort. Billie has a single large seat cushion, with a hidden aluminum foot. To facilitate removal of the covers, the armrests and backrests can be removed from the frame by means of a quick coupling and release system. Back cushions included, decorative cushions NOT included. Made in Italy.

Finishes & Materials

Cover: Fabric or leather.

Frame & feet: Aluminum

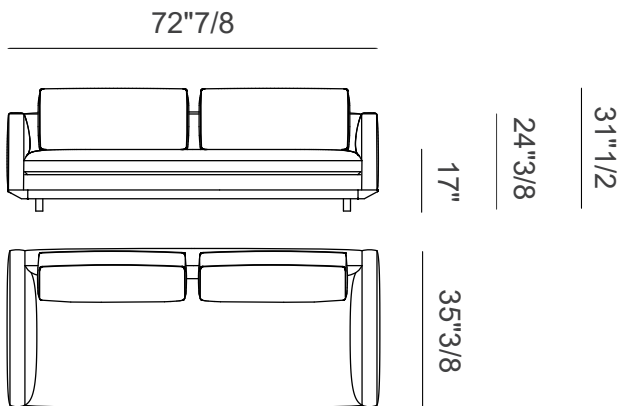
Billie

Dimensions

- Size A: 72"7/8W x 35"3/8D x 31"1/2H
- Size B: 82"5/8W x 35"3/8D x 31"1/2H
- Size C: 82"5/8W x 41"3/8D x 31"1/2H
- Size D: 94"1/2W x 35"3/8D x 31"1/2H
- Size E: 94"1/2W x 41"3/8D x 31"1/2H
- Size F: 106"1/4W x 35"3/8D x 31"1/2H
- Size G: 106"1/4W x 41"3/8D x 31"1/2H

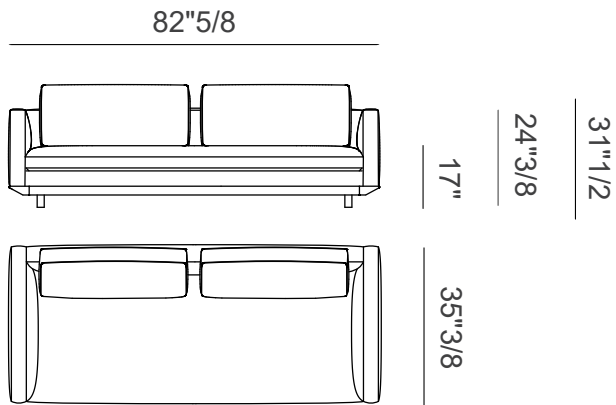
SH: 17"
AH: 24"3/8

Size A

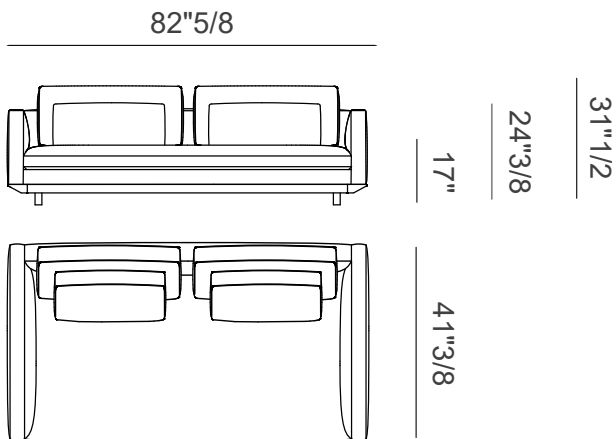


Billie

Size B

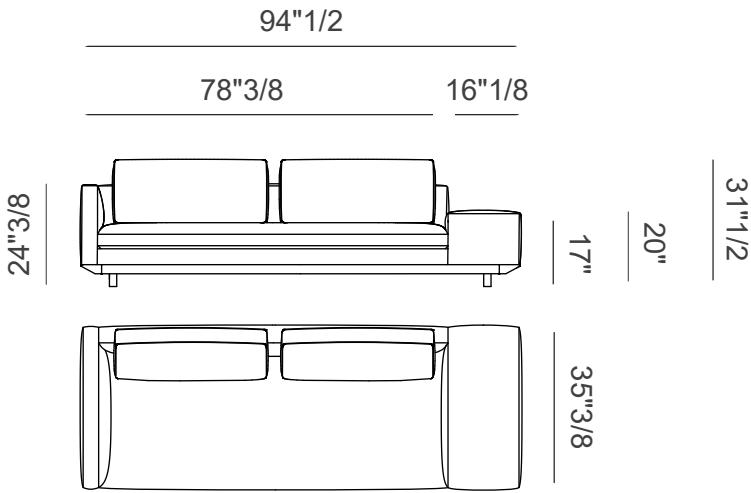


Size C

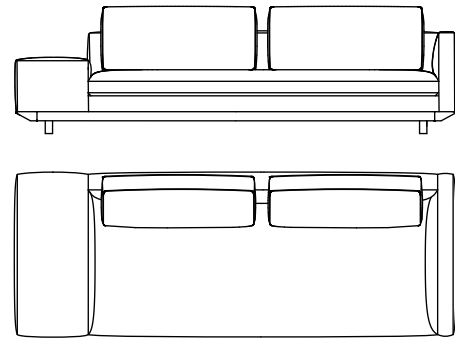


Billie

Size D

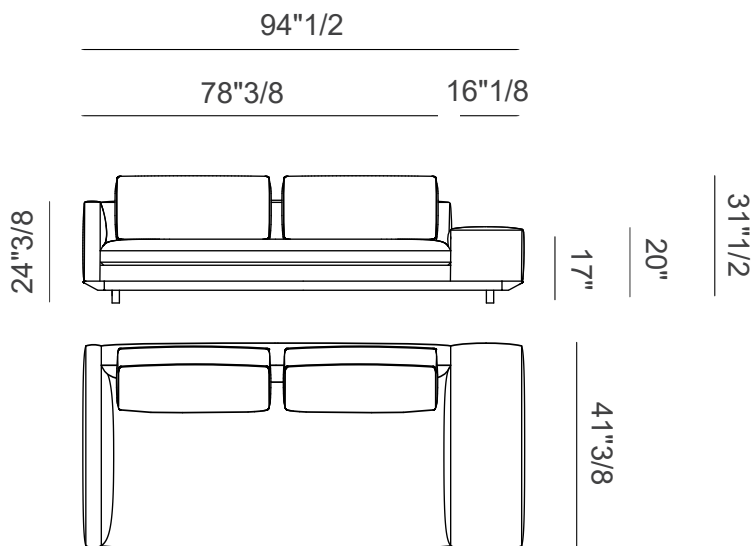


DX

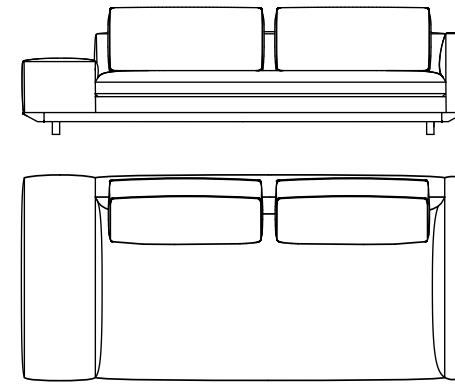


SX

Size E



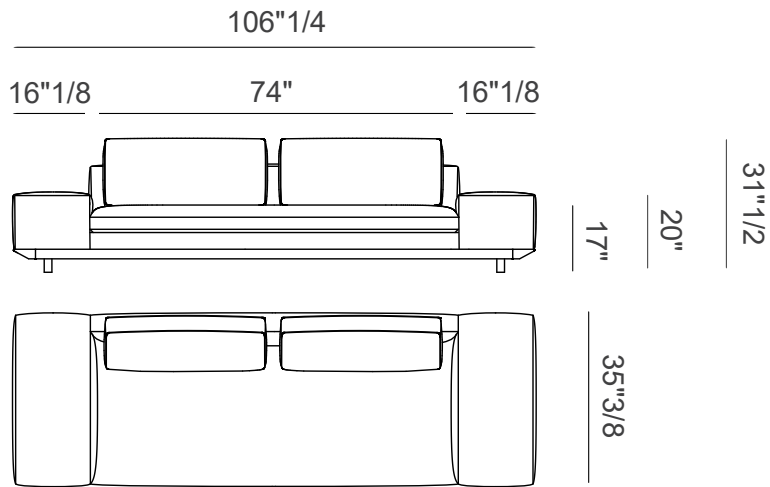
DX



SX

Billie

Size F



Size G

