

Riddled

Design: Steven Holl



Description

The originality and workmanship of its legs are the outstanding features of the Riddled table, which incorporates the notion of porosity found in multiple architecture works by Steven Holl. The thin sheets of wood, folded through laser engraving, make this project even more spectacular in its apparent defiance of the laws of physics. These two legs, akin to origami sculptures, allow the passage of the internal LED light to create a myriad of lights and shadows. Two 2 pin euro plug to 2 pin usa plug included if LED system is chosen. Made in Italy.

Finishes & Materials

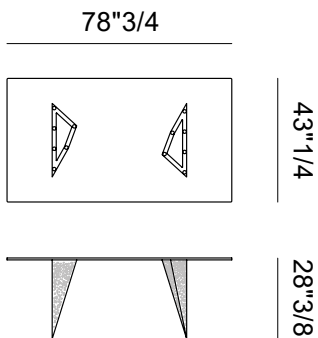
Top: Glass.
Base: Wood.

Dimensions

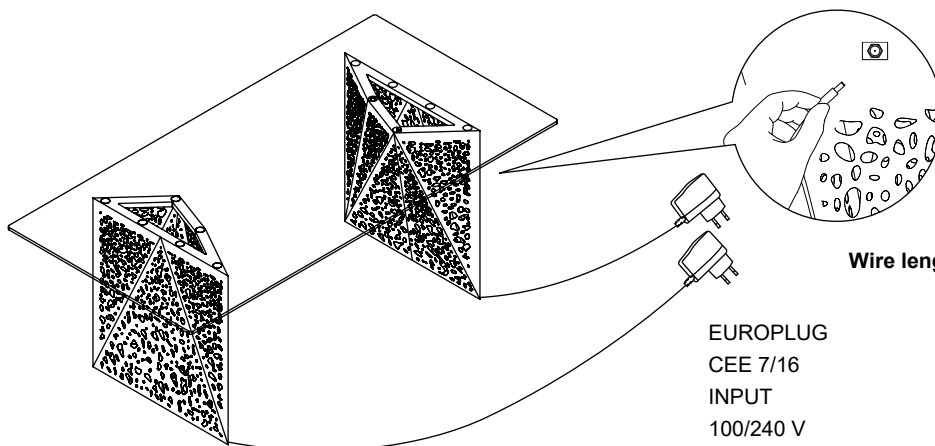
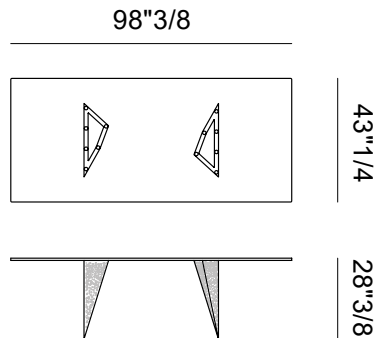
Size A: 78"3/4W x 43"1/4D x 28"3/8H

Size B: 98"3/8W x 43"1/4D x 28"3/8H

Size A

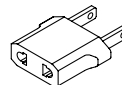


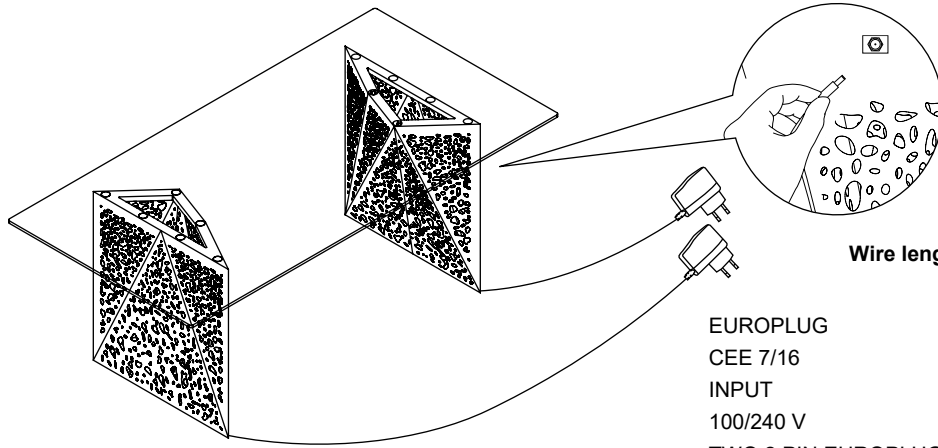
Size B



Wire length: 4'9" feet

EUROPLUG
CEE 7/16
INPUT
100/240 V
TWO 2 PIN EUROPLUG TO 2 PIN USA PLUG INCLUDED





Wire length: 4'9" feet

EUROPLUG
CEE 7/16
INPUT
100/240 V
TWO 2 PIN EUROPLUG TO 2 PIN USA PLUG INCLUDED

