

SC1

Design: Studio Contromano



Description

The exquisite SC1 lounge chair with a fir frame, black painted metal legs, and Canaletto walnut accents, its compact dimensions cater to the need for domestic luxury even in smaller spaces. A “sheet” of leather, expertly crafted by skilled master leatherworkers, gracefully envelops the rounded cushioning. The attention to detail and the extreme formal purity of the structure become the hallmark of the SC1.

Made in Italy:

Finishes & Materials

Back & seat cushion: Fabric or leather.

Backrest & armrest cover: Saddle leather.

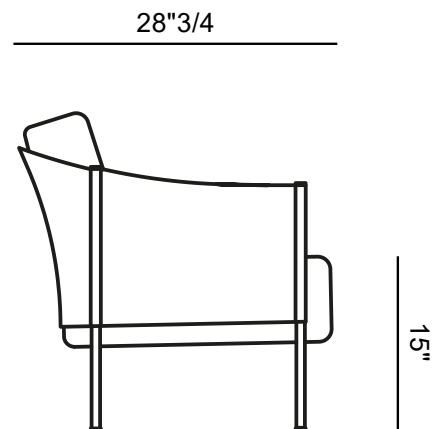
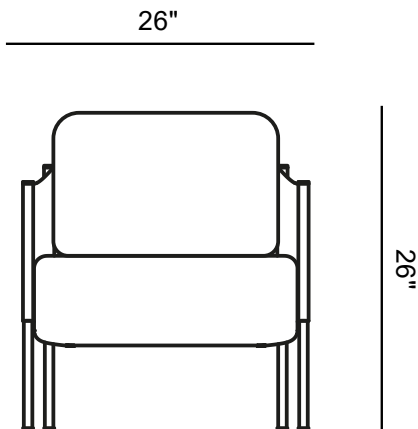
Legs: Metal.

Accents & optional glass holder: Wood.

Dimensions

26"W x 28"3/4D x 26"H

SH: 15"H



Optional glass holder:

