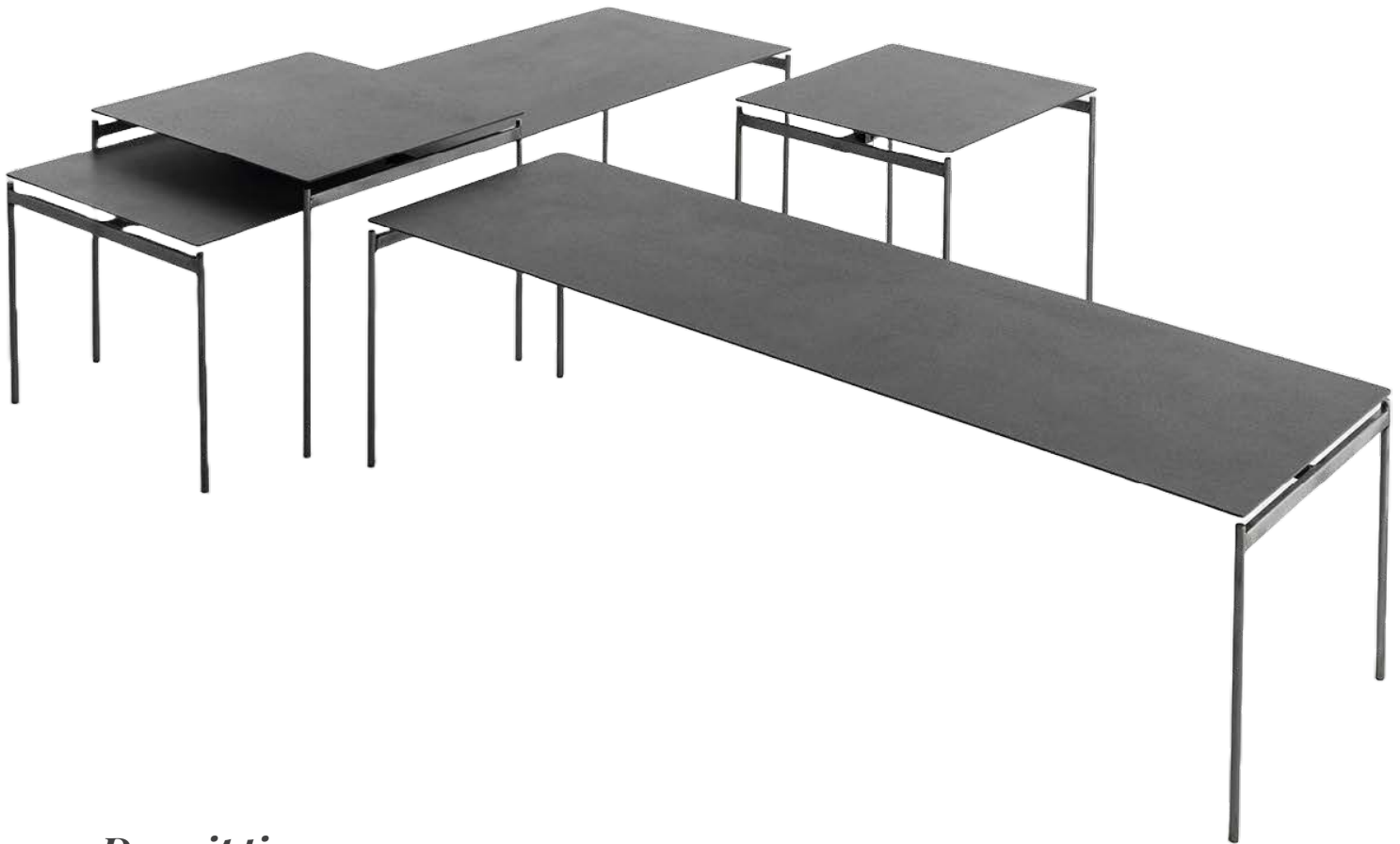


Torii

Design: Renato Zamberlan



Description

The Torii coffee table made with premium technical materials, unvarnished hard metal and ceramic for a post-industrial look. Shapes inspired by the Orient: a Torii is the traditional Japanese gateway that leads to a Shinto shrine or, more simply, a sacred area. The thin top of the table appears to be floating in a void. Not just aesthetically pleasing, the different sizes and heights allow a play of joints and overlaps of the functional values. Made in Italy.

Finishes & Materials

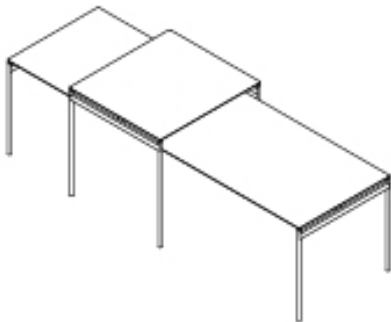
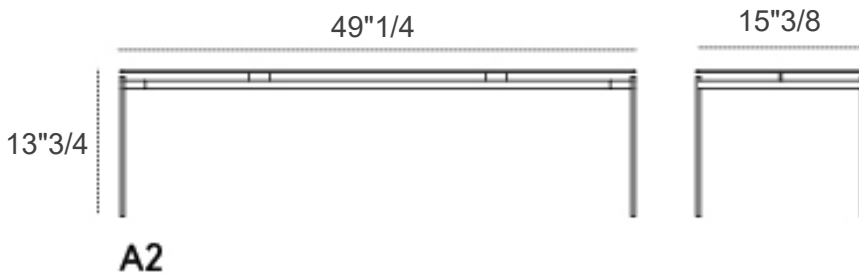
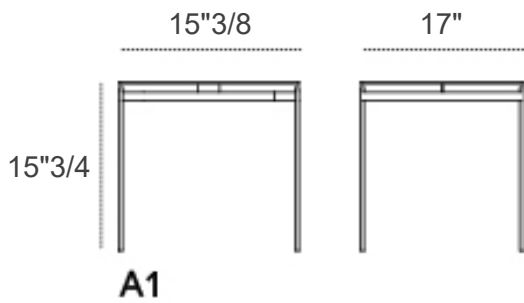
Top: Ceramic.

Legs: Crude metal.

Dimensions

Size A1: 15"3/8W x 17"D x 15"3/4H

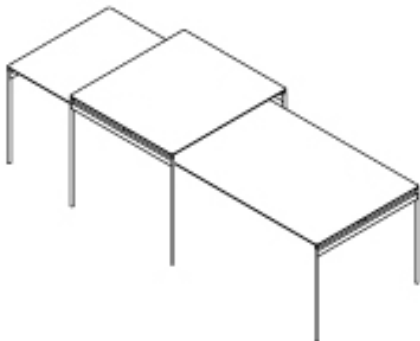
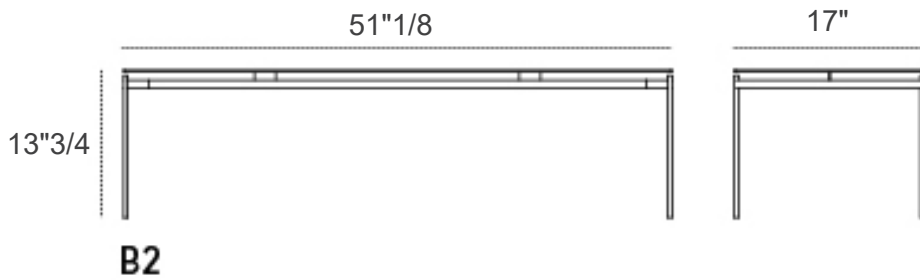
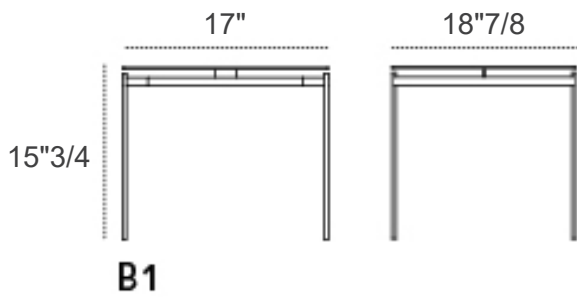
Size A2: 49"1/4W x 15"3/8D x 13"3/4H



Dimensions

Size B1: 17"W x 18"7/8D x 15"3/4H

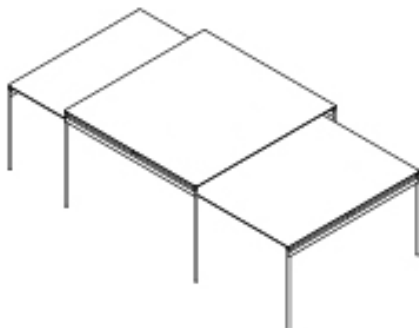
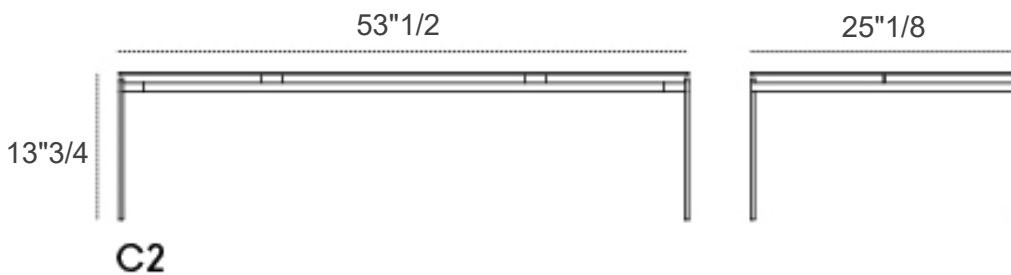
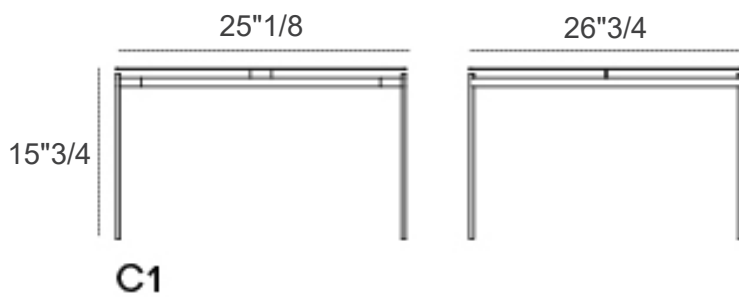
Size B2: 51"1/8W x 17"D x 13"3/4H



Dimensions

Size C1: 25"1/8W x 26"3/4D x 15"3/4H

Size C2: 53"1/2W x 25"1/8D x 13"3/4H



Dimensions

Size D1: 26"3/4W x 28"3/4D x 15"3/4H

Size D2: 55"1/2W x 26"3/4D x 13"3/4H

