

Trail

Design: Giuseppe Baruso



Description

Conference table with die-cast aluminum legs and joints. Fixed steel barrel-shaped top and extruded aluminum crossbar. All powder-coated. MDF tops covered in various finishes, with lacquered edges and bottom. Stoneware tops also available. Adjustable nylon feet. All materials are disassemblable and recyclable. This table is also available in the model with top access in the same finish of the top with one or two trays in bent powder coated metal for cable management.

Trail is based on lightness and elegance, where references to the 1950s meet Nordic style. The rhythm is set by the die-cast aluminum base, where the soft, zoomorphic-inspired legs secretly join together, declaring a unique design. Thanks to the different finishes Lapalma proposes for the base and top, Trail satisfies different tastes and design requirements, adapting perfectly into contemporary fluid spaces, in the home, the office and the contract sector. Made in Italy.

Trail

Dimensions

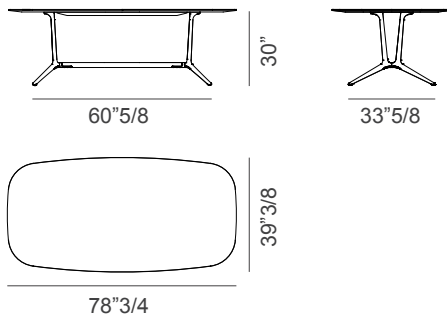
Size A: 78"3/4W x 39"3/8D x 30"H

Size B: 98"3/8W x 41"3/4D x 30"H

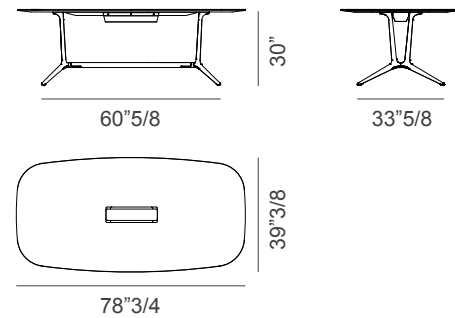
Size C: 118"1/8W x 46"3/8D x 30"H

Size D: 141"3/4W x 50"3/8D x 30"H

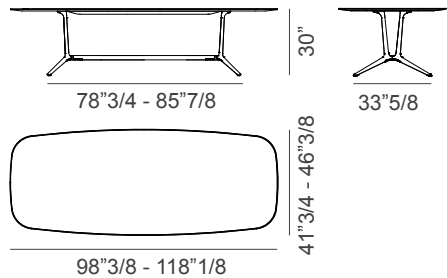
Size A



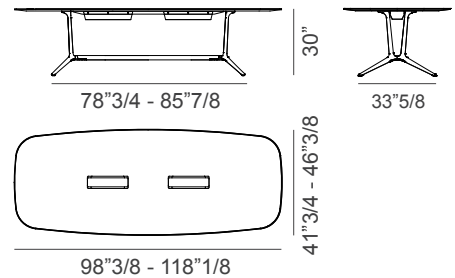
Size A with top access with one tray for cable management



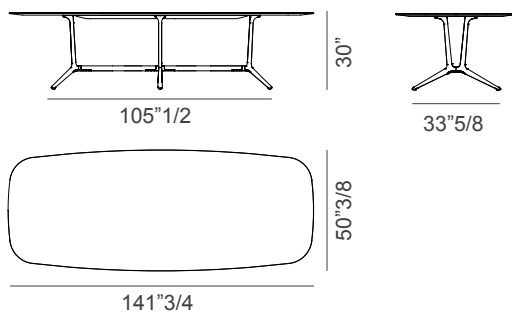
Size B - Size C



Size B - C with top access with two trays for cable management



Size D



Size D with top access with two trays for cable management

