

Barry

Design: Alain Gilles



Description

Barry is a distinctly graphic table sporting intriguing volumes, a mixture of solidity and lightness. The legs form a prominent feature and curl distinctly around themselves, revealing the table's dynamic personality. Barry provides reassurance in the home or office.

Made in Italy.

Dimensions

Rectangular A: 78"3/4W x 39"3/8D x 29"1/2H

Rectangular B: 94"1/2W x 39"3/8D x 29"1/2H

Rectangular C: 118"1/8W x 39"3/8D x 29"1/2H

Round A: Ø61" x 29"1/2H

Round B: Ø65" x 29"1/2H

Round C: Ø70"7/8 x 29"1/2H

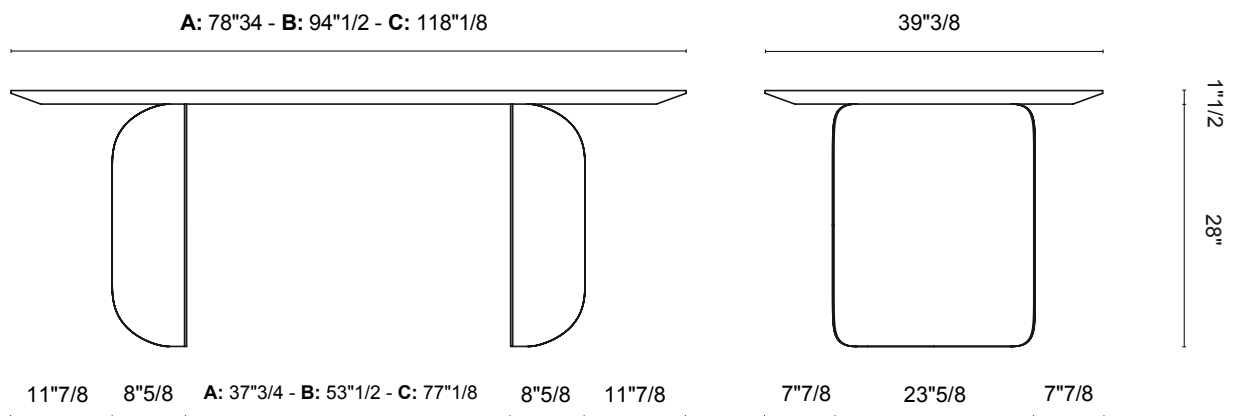
Finishes and materials

Top: Lacquered wood, veneered wood, porcelain or marble.

Base: Metal, lacquered, rose gold or bronze.

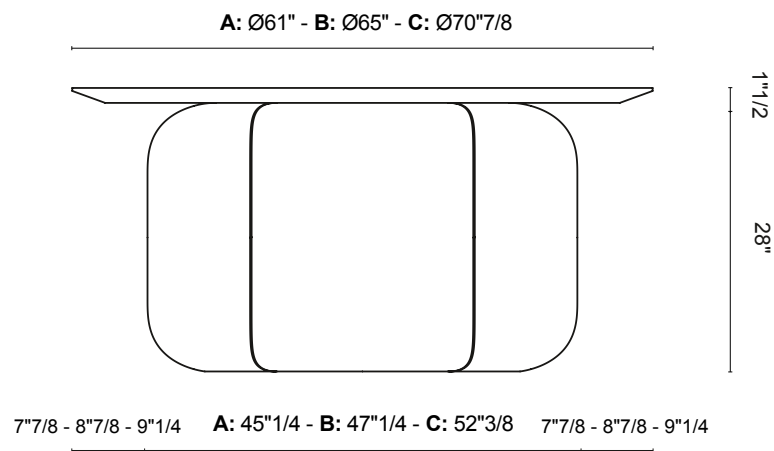
Dimensions

Rectangular:



Thickness for wooden tops; ceramic tops 1"7/8, Palladio Moro marble top 1"5/8

Round:



Thickness for wooden tops; ceramic tops 1"7/8