

Nami

Design: Studio E-GGS



Description

Table featured by a bentwood base and round, rectangular, oval or barrel-shaped top. Available in veneered wooden finishes, lacquered, with top in the same finishes, in Porcelain stoneware or marble. Made in Italy.

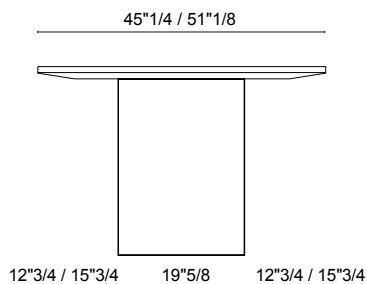
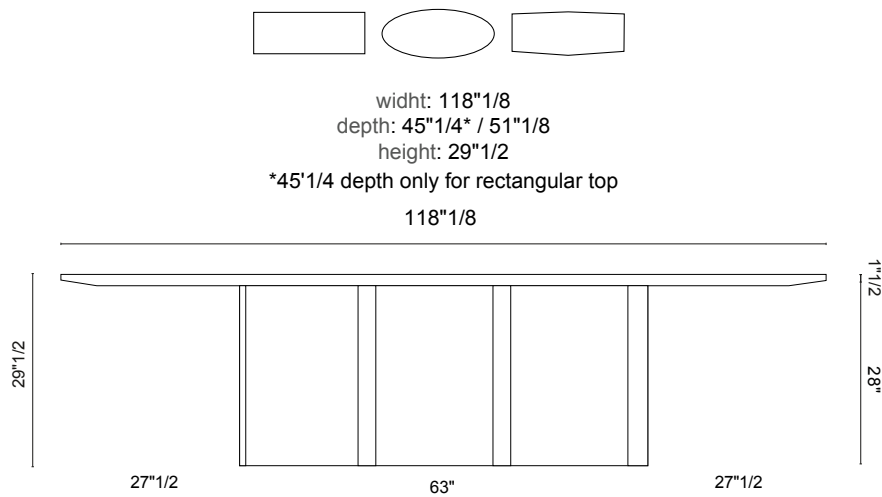
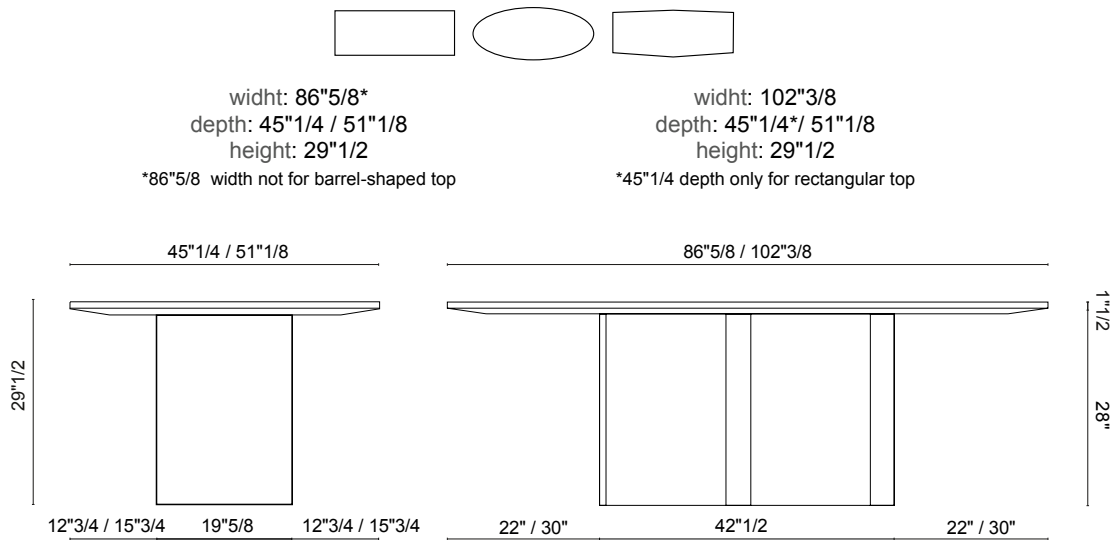
Dimensions

Rectangular A: 86"5/8W x 45"1/4D x 29"1/2H
Rectangular B: 102"3/8W x 45"1/4D x 29"1/2H
Rectangular C: 118"1/8W x 45"1/4D x 29"1/2H
Round A: Ø51"1/8 x 29"1/2H
Round B: Ø55"1/8 x 29"1/2H
Round C: Ø59" x 29"1/2H
Oval A: 86"5/8W x 51"1/8D x 29"1/2H
Oval B: 102"3/8W x 51"1/8D x 29"1/2H
Oval C: 118"1/8W x 51"1/8D x 29"1/2H
Shaped A: 102"3/8W x 51"1/8D x 29"1/2H
Shaped B: 118"1/8W x 51"1/8D x 29"1/2H

Finishes and materials

Top: Lacquered wood, veneered wood, porcelain or marble.
Base: Metal, lacquered, rose gold or bronze.

Dimensions



Dimensions



widht: Ø 51"1/8
depth: Ø 51"1/8
height: 29"1/2

widht: Ø 55"1/8
depth: Ø 55"1/8
height: 29"1/2

widht: Ø 59"
depth: Ø 59"
height: 29"1/2

