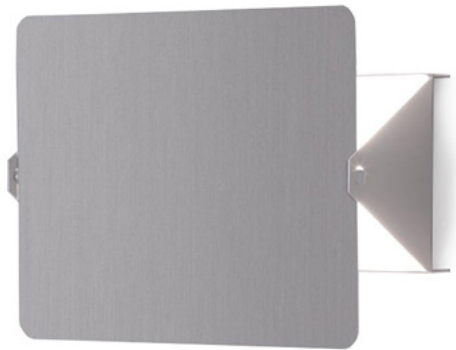


Applique à Volet Pivotant

Design: Charlotte Perriand



Description

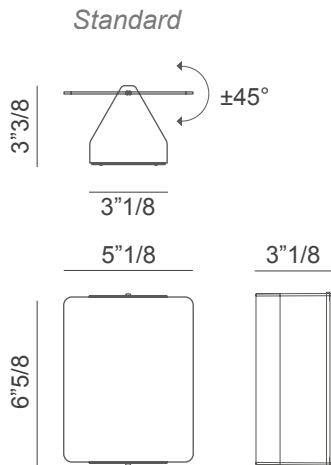
Wall lamps designed in 1962 by Charlotte Perriand for her mountain chalet in Méribel in the French Alps. Aluminum adjustable volet and white metal structure. Indirect light output towards the wall and orientable flood beam. The LED version comes with hardwired features, the E12 version has the cord and plug as standard, but it can be hardwired. The E12 version has the switch on board and can't be removed. The cover plate is always included. Both versions are ADA compliant and the E12 version is also UL listed. Made in Italy.



Applique à Volet Pivotant

Dimensions

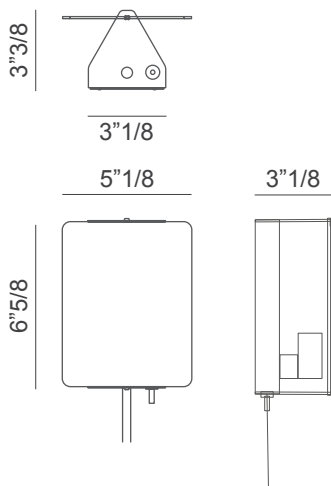
5"1/8W x 3"3/8D x 6"5/8H



ADA
COMPLIANT

Source	LED board
Total power	10W
Emission	Direct/indirect orientable
Switching	ON/OFF
Tension	120V
Color temperature	3000K
Luminous flux	235lm
Typ CRI	85
IP class	20
Materials	Aluminum
Notes	White body, square cover plate included

With cable/switch



UL
LISTED

ADA
COMPLIANT

Source	E12 bulb
Total power	8W
Emission	Direct/indirect orientable
Switching	Dimmable according to bulb
Tension	120V
IP class	20
Materials	Aluminum
Notes	Cable length 43"1/4, switch on board, bulb Ømax 1"1/8 (not included). With external cable plug (removable). White body, square cover plate included.