

# Ellisse

*Design: Federico Palazzari*

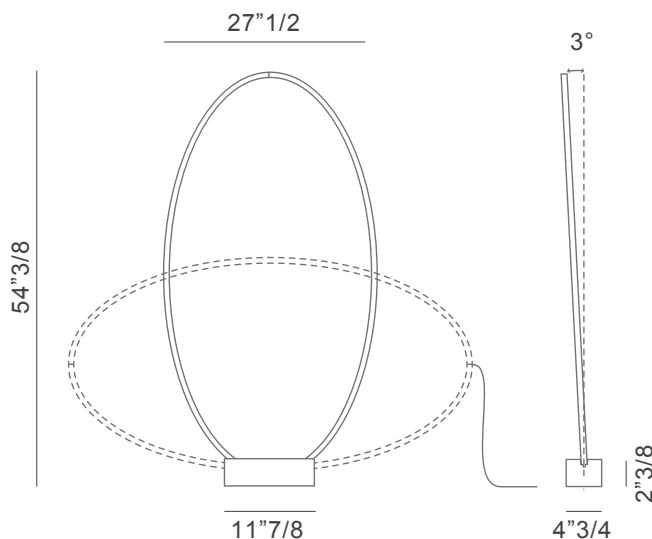
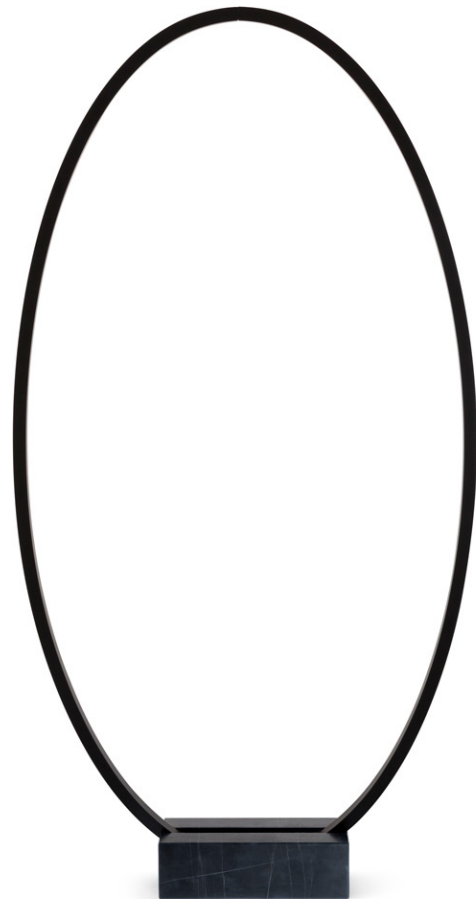
## Description

Realized in various versions through an innovative technology developed by Nemo for coupling extrusions, Ellisse guarantees diffused direct and indirect lighting with the LED housed within the structure while remaining unobtrusive. The design is linear and contemporary, while an elegant black marble base becomes a pedestal for the floor version. Made in Italy.

## Dimensions

27"1/2W x 4"3/4D x 54"3/8H

**Base:** 11"7/8W x 4"3/4D x 2"3/8H



|                          |   |
|--------------------------|---|
| <b>Source</b>            | Linear LED  |
| <b>Total power</b>       | 66W   |
| <b>Emission</b>          | Diffused  |
| <b>Switching</b>         | Dimmable on cable   |
| <b>Tension</b>           | 120V  |
| <b>Color temperature</b> | 2700K   |
| <b>Luminous flux</b>     | 3450lm  |
| <b>Typ CRI</b>           | 85  |
| <b>IP class</b>          | 20  |
| <b>Materials</b>         | Aluminum  |
| <b>Base (included)</b>   | Black Marquinia marble  |
| <b>Notes</b>             | Cable length 196"7/8<br>3000K, 3500K and 4000K available on request |