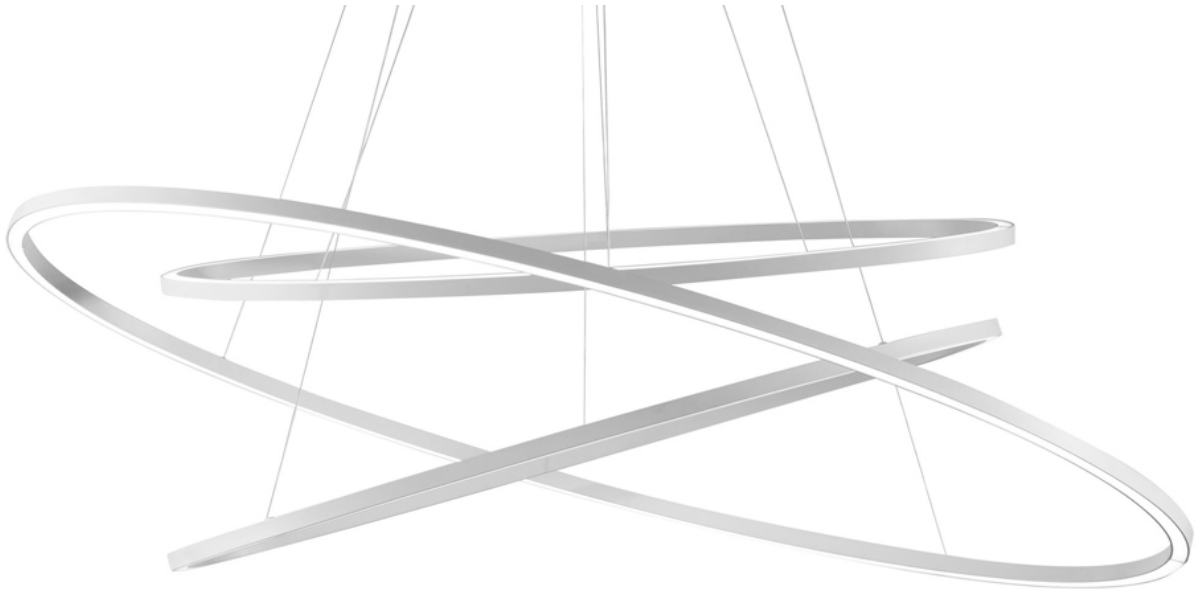


Ellisse Triple

Design: Federico Palazzari



Description

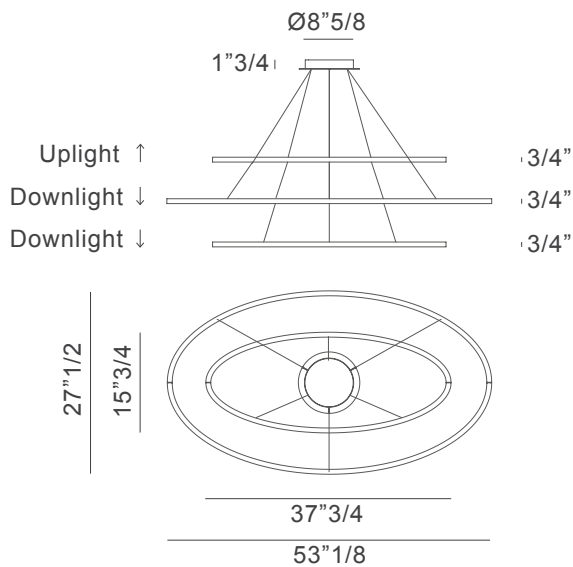
Realized in various versions through an innovative technology developed by Nemo for coupling extrusions, Ellisse guarantees diffused direct and indirect lighting with the LED housed within the structure while remaining unobtrusive. The design is linear and contemporary, while an elegant black marble base becomes a pedestal for the floor version. Made in Italy.



Ellisse Triple

Dimensions

53"1/8W x 27"1/2D



Source	Linear LED
Total power	70W
Emission	Diffused uplight (minor), diffused downlight (major/minor)
Switching	Dimmable
Tension	120V
Color temperature	2700K or 3000K
Luminous flux	1050+1630+1050lm
Typ CRI	85
IP class	20
Materials	Aluminum + PC
Notes	Adjustable cable length Max. 98"3/8. 3500 and 4000K available on request, extra cable on request. Integral driver dual capability TRIAC-ELV and 0-10V