

Ellisse

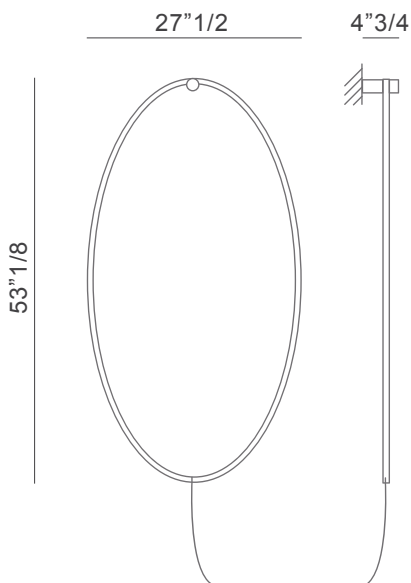
Design: Federico Palazzari

Description

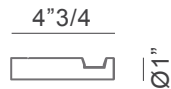
Realized in various versions through an innovative technology developed by Nemo for coupling extrusions, Ellisse guarantees diffused direct and indirect lighting with the LED housed within the structure while remaining unobtrusive. The design is linear and contemporary, while an elegant black marble base becomes a pedestal for the floor version. Made in Italy.

Dimensions

27"1/2W x 4"3/4D x 53"1/8H



ACCESSORY:
Wall hanger



Source	Linear LED
Total power	66W
Emission	Diffused
Switching	Dimmable on cable
Tension	120V
Color temperature	2700K
Luminous flux	3450lm
Typ CRI	85
IP class	20
Materials	Aluminum
Accessory (included)	Wall hanger, gold polished anodized aluminium
Notes	Cable length 196"7/8 3000K, 3500K and 4000K available on request