

Lampe de Marseille

Design: Le Corbusier



Description

Lampe de Marseille was named after the Unité d'Habitation in Marseille, the massive building designed between 1949 and 1952 by Le Corbusier and a symbol of Brutalist architecture. Made in Italy.



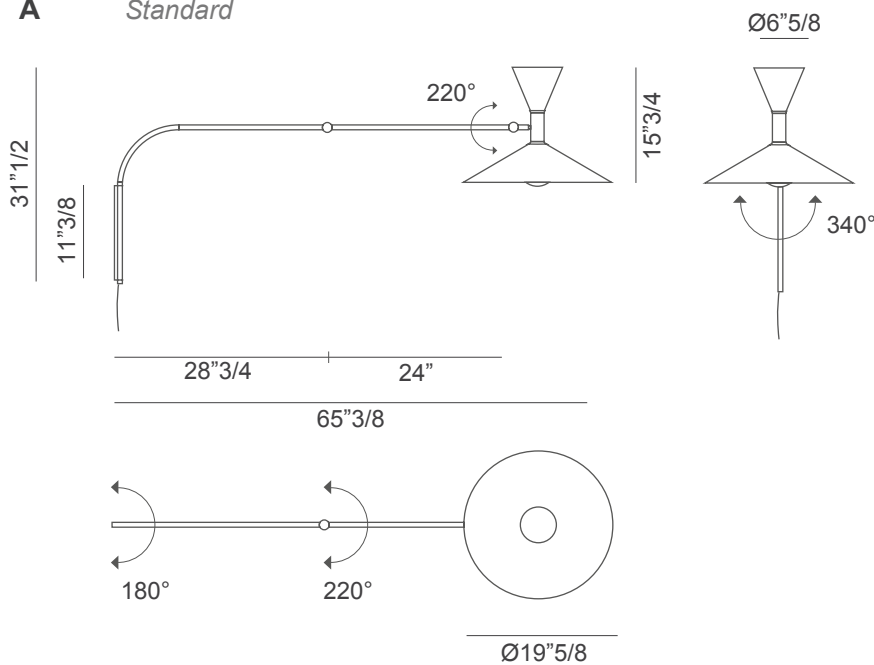
Lampe de Marseille

Dimensions

A: 65"3/8W x 19"5/8D x 31"1/2H

B: 35"3/8W x 11"7/8D x 19"5/8H

A Standard

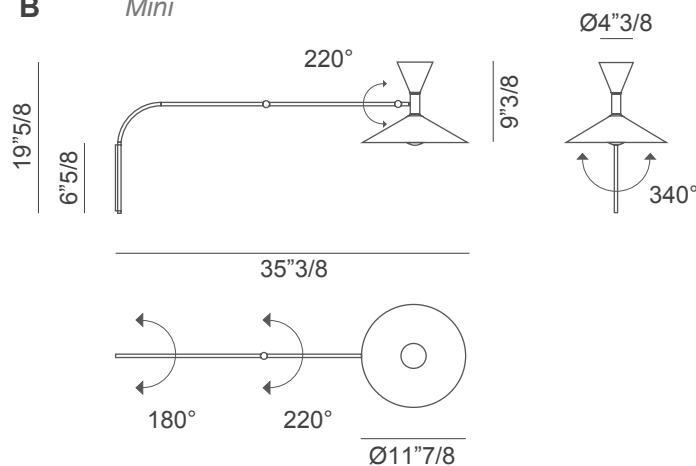


| | |
|--------------------|------------------------|
| Source | E26 |
| Total power | 2x70W |
| Emission | Direct + indirect |
| Switching | Double switch on cable |
| Tension | 120V |
| IP class | 20 |
| Materials | Steel + aluminum |

Notes

Cable length 59" + 51"1/8, orientable. Dimmable according to bulb. Bulbs not included. Whitewash color inside the diffusers.

B Mini



| | |
|--------------------|----------------------|
| Source | E12 |
| Total power | 2x46W |
| Emission | Direct + indirect |
| Switching | Mono switch on cable |
| Tension | 120V |
| IP class | 20 |
| Materials | Steel + aluminum |

Notes

Cable length 37"3/8 + 47"1/4, orientable. Installation with or without plug, dimmable according to bulb only with direct wall electrical installation. Bulb not included. Whitewash color inside the diffusers.