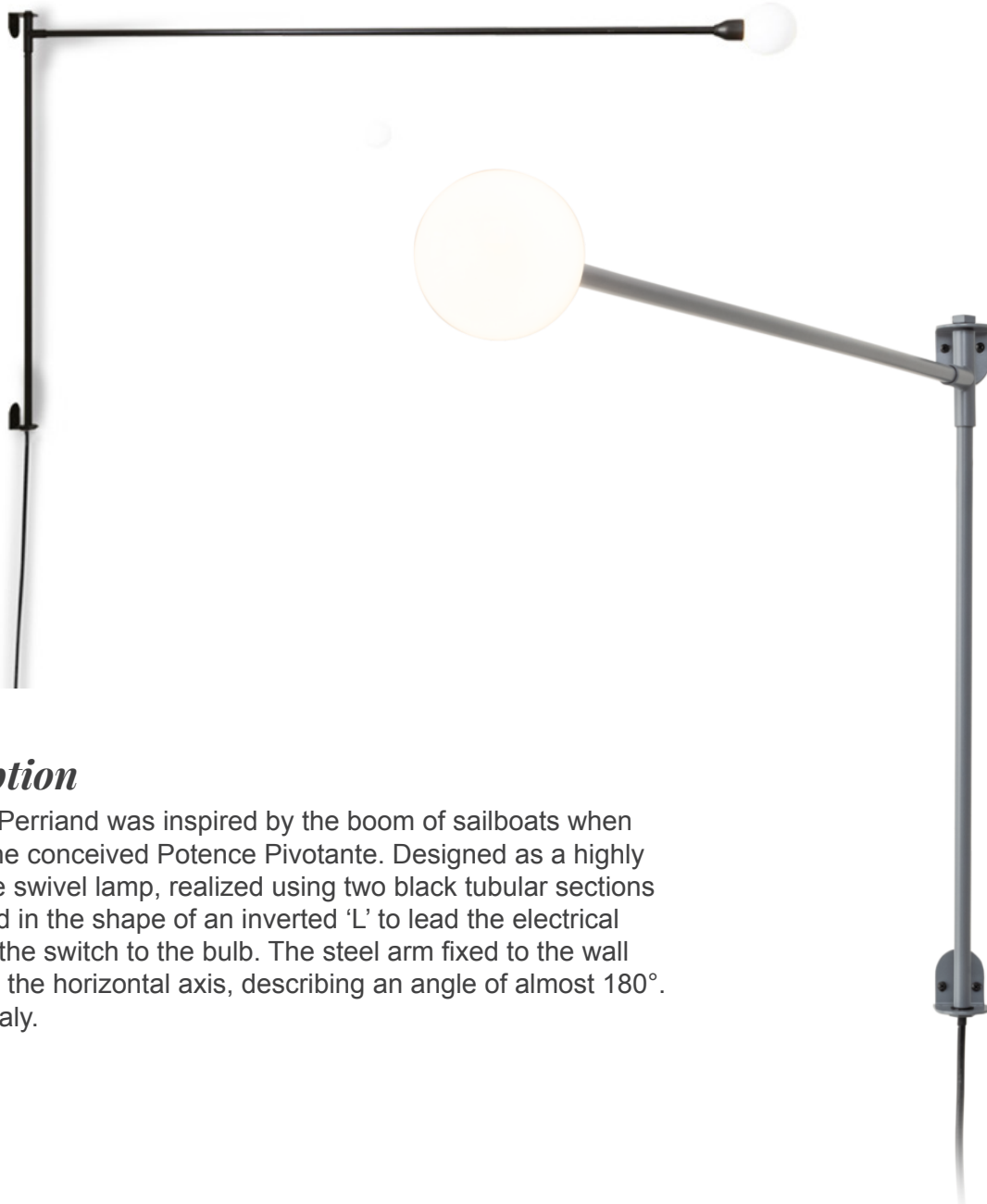


Potence Pivotante

Design: Charlotte Perriand



Description

Charlotte Perriand was inspired by the boom of sailboats when in 1938 she conceived Potence Pivotante. Designed as a highly accessible swivel lamp, realized using two black tubular sections assembled in the shape of an inverted 'L' to lead the electrical wire from the switch to the bulb. The steel arm fixed to the wall rotates on the horizontal axis, describing an angle of almost 180°. Made in Italy.

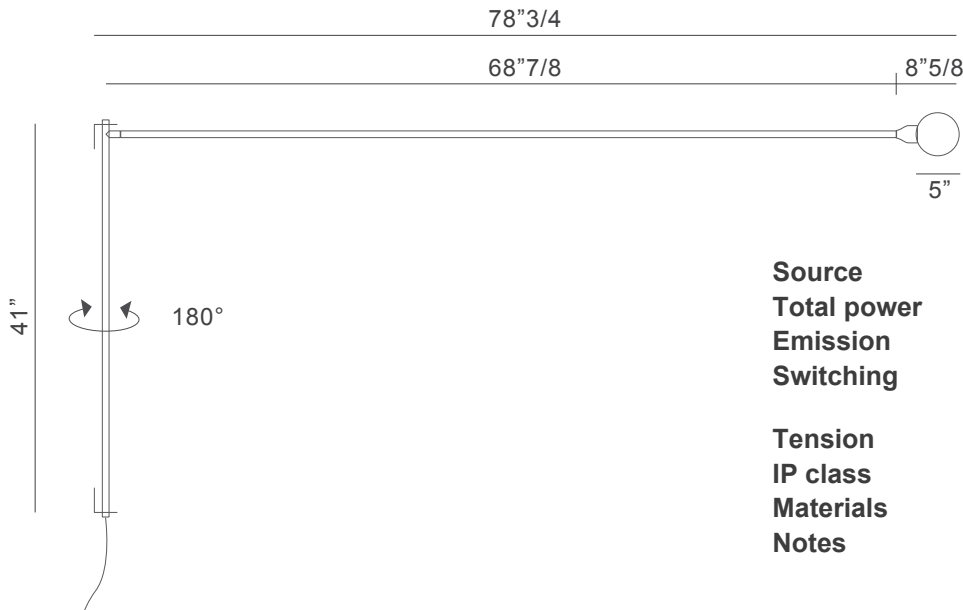
Potence Pivotante


Dimensions

A: 78"3/4W x 5"D x 41"H

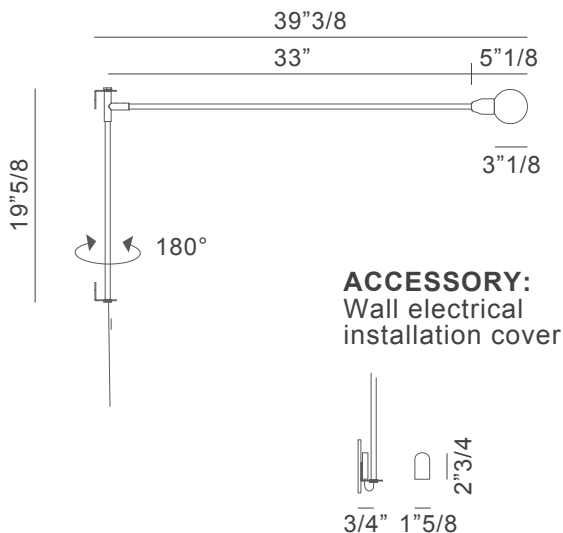
B: 39"3/8W x 3"1/8D x 19"5/8H

A Standard



Source	E26	
Total power	75W	
Emission	Diffused	
Switching	Dimmable on cable according to bulb	
Tension	120V	
IP class	20	
Materials	steel + aluminum	
Notes	Cable length 59" + 67" orientable, installation with cable and plug, bulb not included	

B Mini



ACCESSORY:
Wall electrical
installation cover

Source	G9 LED
Total power	4W
Emission	Diffused
Switching	Switch on cable
Tension	120V
Color temperature	2700K
Luminous flux	400lm
Typ CRI	80
IP class	20
Materials	Steel + aluminum
Accessory	Wall electrical installation cover
Notes	Cable length 98"3/8, orientable, cover for direct wall electrical installation (no plug), LED bulb included, dimmable (only with direct wall electrical installation)