

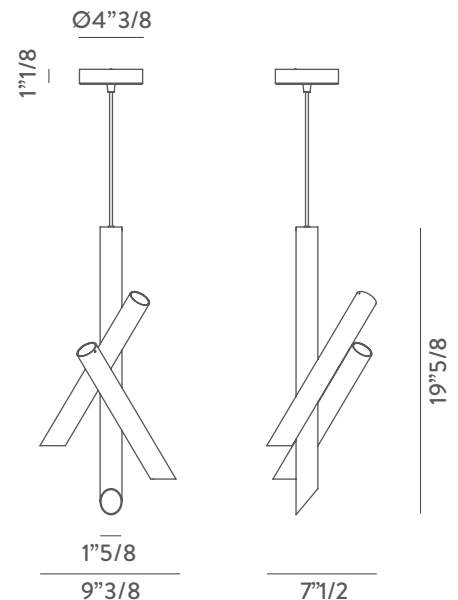
Tubes 3

Design: Charles Kalpakian



Dimensions

9"3/8W x 7"1/2D x 19"5/8H



Description

Clean, linear and essential design expressed by the pure shapes of the tubular elements. Tubes is available in pendant, wall and ceiling versions. With a simple movement, the aluminium bodies rotate to redirect the light as desired. Made in Italy.

Source	LED board
Total power	3x4W
Emission	Spot light, direct
Switching	ON/OFF
Tension	120V
Color temperature	2700K
Luminous flux	3x190lm
Typ CRI	85
IP class	20
Materials	Aluminum + pmma
Notes	Cable length 118"1/8, extra cable on request