

# Tubes

*Design: Charles Kalpakian*



## *Description*

Clean, linear and essential design expressed by the pure shapes of the tubular elements. Tubes is available in pendant, wall and ceiling versions. With a simple movement, the aluminum bodies rotate to redirect the light as desired. Made in Italy.



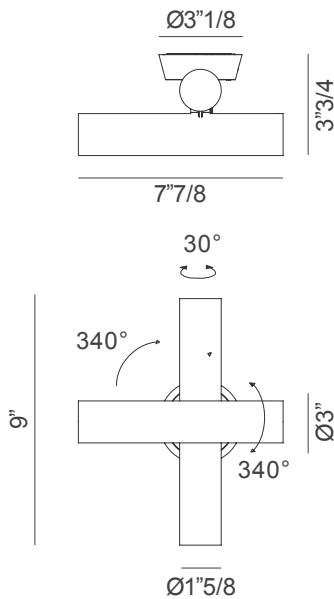
## Tubes

### Dimensions

**A:** 7"7/8W x 3"3/4D x 9"H

**B:** 9"W x 5"1/2D x 12"1/8H

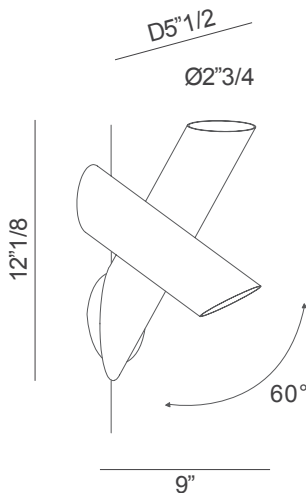
#### A Tubes 2



**ADA**  
COMPLIANT

<b>Source</b>	LED board
<b>Total power</b>	2x4W
<b>Emission</b>	Spot light
<b>Switching</b>	Dimmable TRIAC
<b>Tension</b>	120V
<b>Color temperature</b>	2700K
<b>Luminous flux</b>	2x190lm
<b>Typ CRI</b>	85
<b>IP class</b>	20
<b>Materials</b>	Aluminum + PMMA
<b>Notes</b>	Orientable on three axes Round cover plate included

#### B Tubes Large



<b>Source</b>	LED board
<b>Total power</b>	2x13W
<b>Emission</b>	spot light
<b>Switching</b>	dimmmable TRIAC
<b>Tension</b>	120V
<b>Color temperature</b>	2700K
<b>Luminous flux</b>	2x640lm
<b>Typ CRI</b>	85
<b>IP class</b>	20
<b>Materials</b>	Aluminum + PMMA
<b>Notes</b>	One element orientable 60° Round cover plate included