

Argent, Mon Bijou

Design: Dodo Arslan



Description

Argent Mon Bijou, is a table lamp reminiscent of a shimmering cloud, casting brilliant ethereal light across the room. Handmade by craftsmen in stainless steel, each piece is both unique and a modular element of an extremely flexible system. Design Dodo Arslan. Made in Italy.

Light source:

Integrated LED 2700K or 3000K,
4,5W - 522lm

Dimming: IGBT / TRIAC



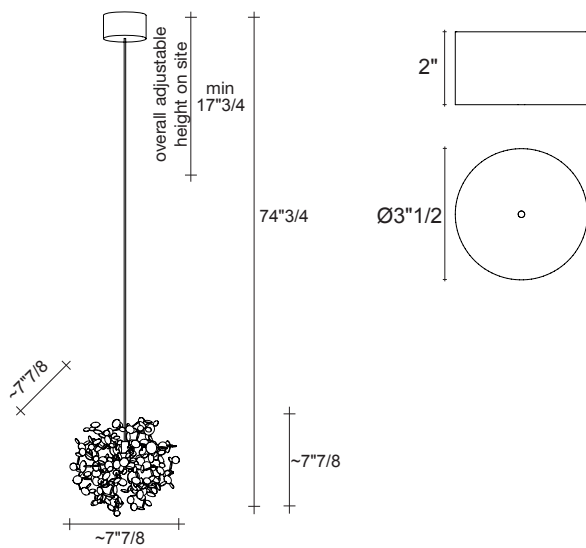
Finishes and materials

Finish: Stainless steel, gold, rose gold or champagne plated.

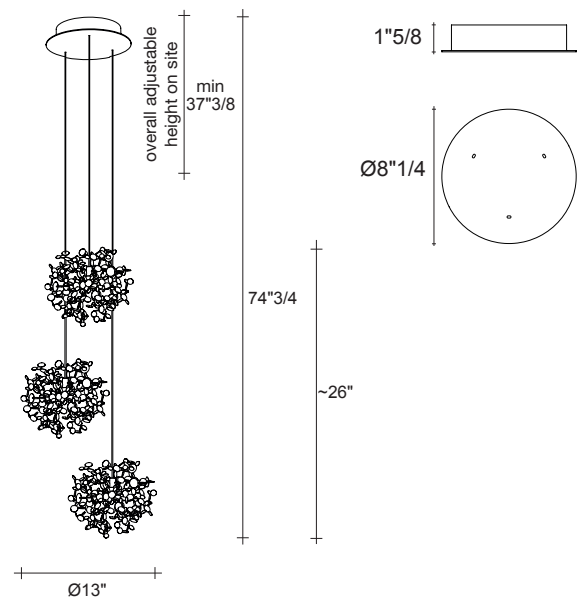
Dimensions

Single pendant: ~7"7/8W x ~7"7/8D x ~7"7/8H (17"3/4minH to 74"3/4MaxH of Tensor and Canopy)
3-pendant Composition: Ø13" x ~26"H (37"3/8minH to 74"3/4MaxH of Tensors and Canopy)
5-pendant Composition: Ø15"3/8 x ~44"H (57"minH to 74"3/4MaxH of Tensors and Canopy)
7-pendant Composition: Ø16"1/2 x ~62"1/4H (70"7/8minH to 74"3/4MaxH of Tensors and Canopy)

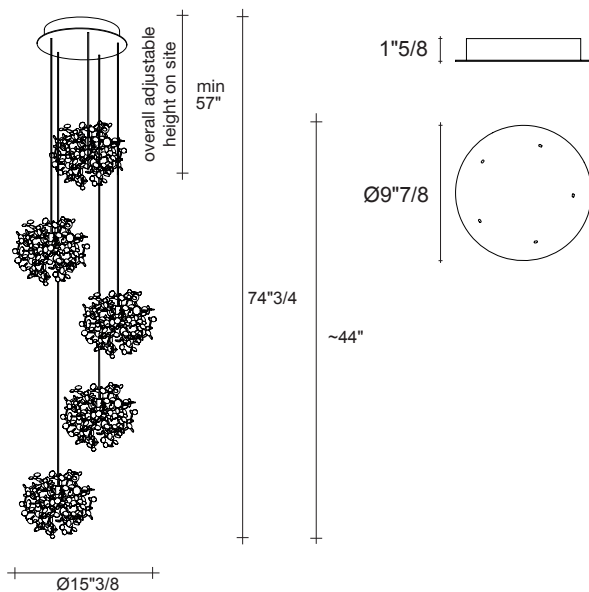
Single Pendant



3-pendant Composition



5-pendant Composition



7-pendant Composition

