

Dune

Design: Ruga Perissinotto



Description

The elegant Dune desk is made up of two slightly padded asymmetrical halves, one of which reclines to become a worktop, complete with useful technological equipment and sockets for connect devices. The metal structural bar, as well as having a wall-fixing function, is in fact subdivided into compartments of different sizes and can be equipped with a USB socket, loudspeakers & control panel to manage music files, and general power cable. Made in Italy.

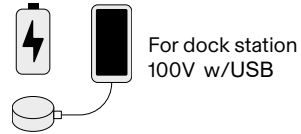
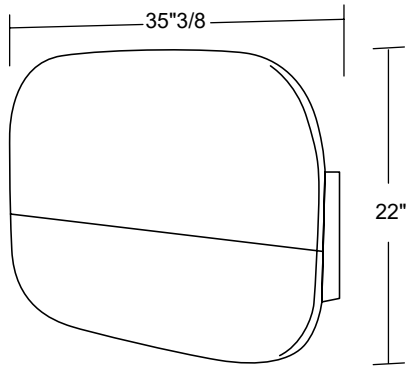
Finishes & Materials

Cover: Fabric or leather.

Structure: Metal.

Dimensions

35"3/8W x 17"D x 22"H



For dock station
100V w/USB



For dock station
110V with black
kit bluetooth
audio system and
USB.

