

## Gabri

*Design: Matteo Zorzenoni*



### *Description*

The elegant Gabri side and coffee table is characterized, like the bed from which it was born, by the leather upholstery, hand-crafted finished with fine stitching. The top is made of neolith, a 100% natural high-performance material.

Made in Italy.

### *Finishes & Materials*

**Top:** Stone.

**Top edge:** Hide.

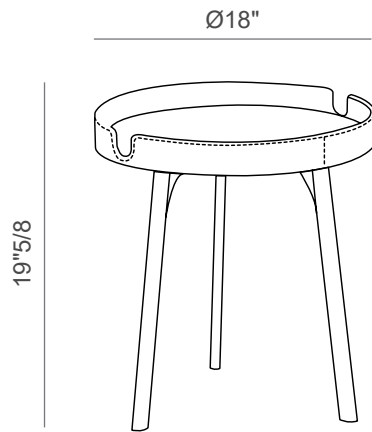
**Legs:** Lacquered.

Gabri

---

## *Dimensions*

**Side table: Ø18" x 19"5/8H**



**Coffee Table: Ø35"5/8 x 14"H**

