

W

Design: Luciano Marson



Description

The luxury W table comes with the base in walnut, white aniline oakwood, stained heat-treated oak and metal with the top in glass or wood. Made in Italy.

Finishes & Materials

Top: Wood or glass.

Base: Wood.

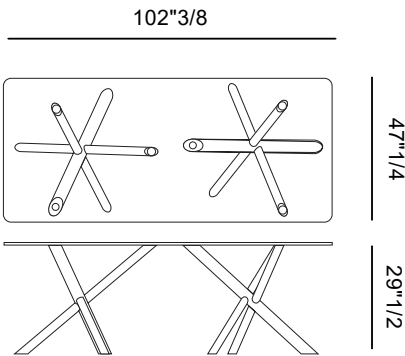
W

Dimensions

Size A: 102"3/8W x 47"1/4D x 29"1/2H

Size B: 118"1/8W x 47"1/4D x 29"1/2H

Size A



Size B

