

Alfi

Design: Marco Fumagalli



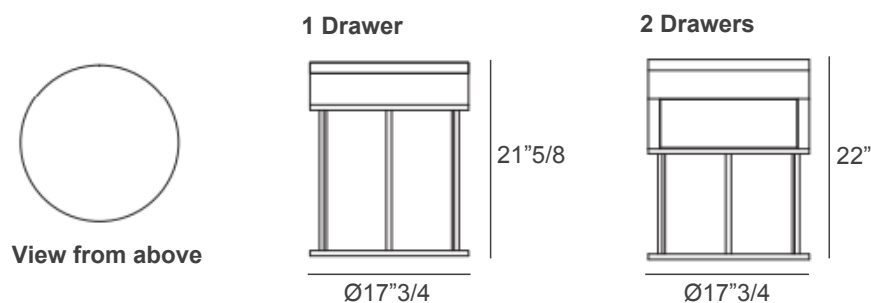
Description

A harmonious interplay of parallel and perpendicular shafts, seamlessly jointed at precise angles, forms a sturdy, non-deformable structure. The top is rigorously geometric, with a clean, regular shape that exudes simplicity and elegance. Made in Italy.

Dimensions

1 Drawer: $\text{Ø}17\frac{3}{4}$ x $21\frac{5}{8}$ H

2 Drawers: $\text{Ø}17\frac{3}{4}$ x 22"H



Finishes & Materials

Top: Multi-laminated veneered wood.

Base: Tubular square-section made of metal in RAL colors.