

Belt

Design: Marco Fumagalli



Description

Belt combines timeless beauty with bold design, seamlessly blending the strength of metal and the sophistication of its upholstery. Its shape takes center stage, crating a cozy, inviting space while being elegantly framed by the belt—a feature that is more than decoration, appearing as an integral, arm-like element, infusing the surrounding space with a chic, metropolitan flair. It provides versatile customization options, that allow the seat to feature a distinct finish from the shell and the armrests insert.

Available optional decorative cushions padded with siliconized microfiber.

Made in Italy.

Finishes & Materials

Backrest Structure: Metal frame with welded mesh.

Seat Structure: Multilayer poplar and solid fir wood with elastic belts support.

Padding: Expanded polyurethane foam with different densities and acrylic fiber.

Shell, Seat & Armrests Insert: Fabric and Leather.

Decorative Belt: Leather attached to a snap-hook.

Armrests Profile: Metal.

Feet: Painted wood.

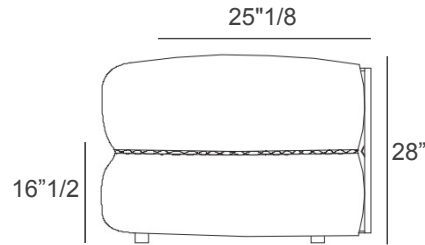
Belt

Dimensions

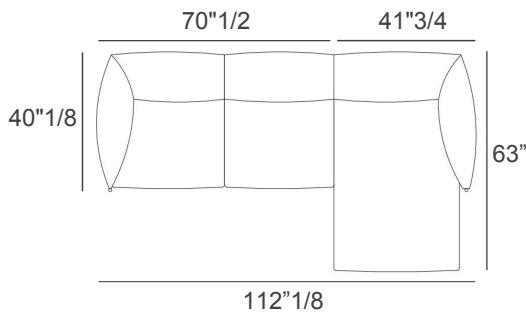
- A) 112"1/8W x 63"D x 28"H - Cod. 07+18
- B) 120"W x 63"D x 28"H - Cod. 19+18
- C) 144"7/8W x 63"D x 28"H - Cod. 17+01+01+06

Seat height: 16"1/2

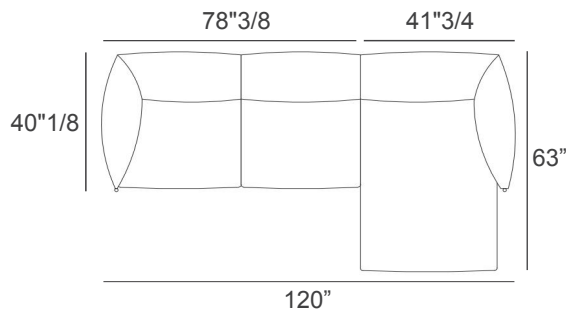
Seat depth: 25"1/8



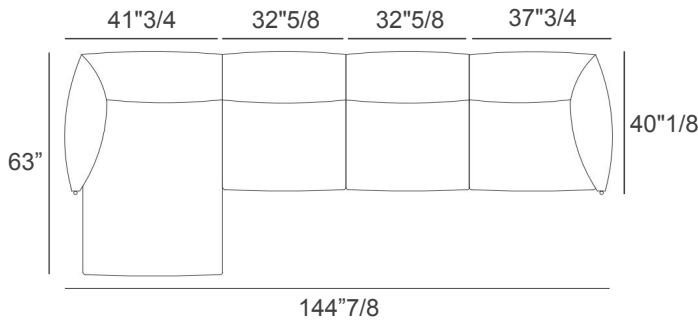
Composition 1 - A)



Composition 1 - B)



Composition 2 - C)

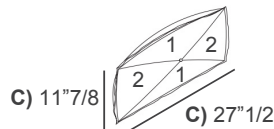
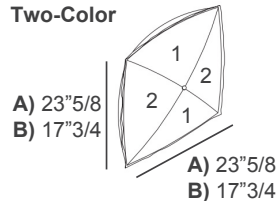


Optional decorative cushions

Two-Color:

- A) 23"5/8W x 23"5/8H - Cod. C1
- B) 17"3/4W x 17"3/4H - Cod. C2
- C) 27"1/2W x 11"7/8H - Cod. C3
- D) Ø19"5/8 - Cod. CT

Two-Color



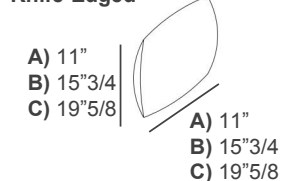
Please note:

The sections marked with the number 1 will be in one color, and the sections marked with the number 2 will be in a different color.

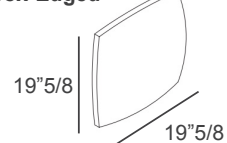
Knife-Edged:

- A) 11"W x 11"H - Cod. C4
- B) 15"3/4W x 15"3/4H - Cod. C5
- C) 19"5/8W x 19"5/8H - Cod. C9
- D) 27"1/2W x 11"7/8H - Cod. 10

Knife-Edged



Box-Edged



Box-Edged:

- 19"5/8W x 19"5/8H - Cod. C50