

Belt

Design: Marco Fumagalli



Description

Belt combines timeless beauty with bold design, seamlessly blending the strength of metal and the sophistication of its upholstery. Its shape takes center stage, crating a cozy, inviting space while being elegantly framed by the belt—a feature that is more than decoration, appearing as an integral, arm-like element, infusing the surrounding space with a chic, metropolitan flair. It provides versatile customization options, that allow the seat to feature a distinct finish from the shell and the armrests insert.

Available optional decorative cushions padded with siliconized microfiber.

Made in Italy.

Finishes & Materials

Backrest Structure: Metal frame with welded mesh.

Seat Structure: Multilayer poplar and solid fir wood with elastic belts support.

Padding: Expanded polyurethane foam with different densities and acrylic fiber.

Shell, Seat & Armrests Insert: Fabric and Leather.

Decorative Belt: Leather attached to a snap-hook.

Armrests Profile: Metal.

Feet: Painted wood.

Belt

Dimensions

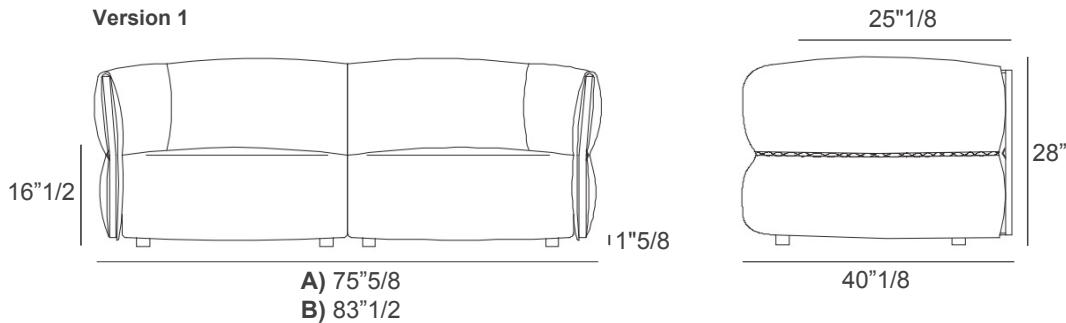
- A) 75"5/8W x 40"1/8D x 28"H - **2-Seater**
- B) 83"1/2W x 40"1/8D x 28"H - **3-Seater**
- C) 108"1/4W x 40"1/8D x 28"H - **Maxi**
- D) 120"W x 40"1/8D x 28"H - **Extra Large**

Seat height: 16"1/2

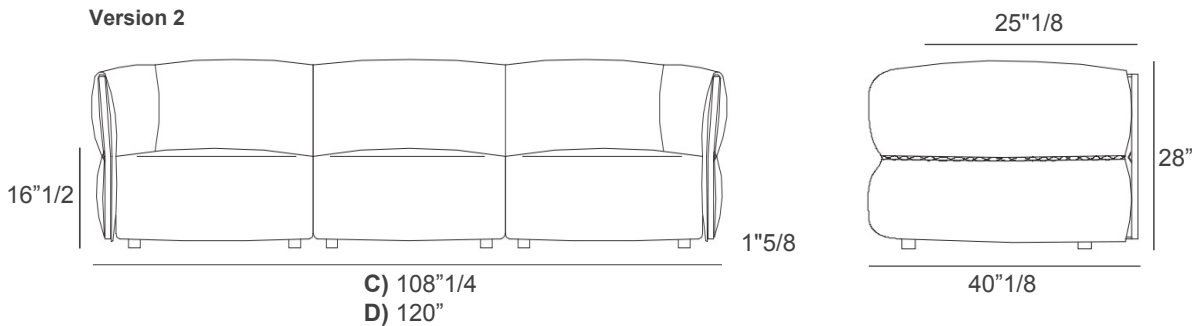
Seat depth: 25"1/8



Version 1



Version 2

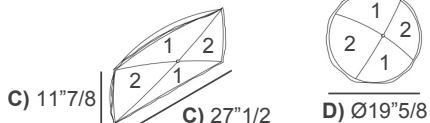
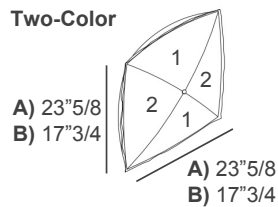


Optional decorative cushions

Two-Color:

- A) 23"5/8W x 23"5/8H - **Cod. C1**
- B) 17"3/4W x 17"3/4H - **Cod. C2**
- C) 27"1/2W x 11"7/8H - **Cod. C3**
- D) Ø19"5/8 - **Cod. CT**

Two-Color



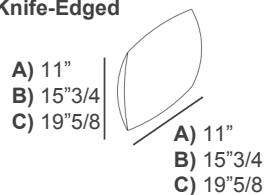
Please note:

The sections marked with the number 1 will be in one color, and the sections marked with the number 2 will be in a different color.

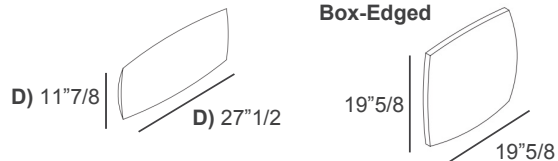
Knife-Edged:

- A) 11"W x 11"H - **Cod. C4**
- B) 15"3/4W x 15"3/4H - **Cod. C5**
- C) 19"5/8W x 19"5/8H - **Cod. C9**
- D) 27"1/2W x 11"7/8H - **Cod. 10**

Knife-Edged



Box-Edged



Box-Edged:

- 19"5/8W x 19"5/8H - **Cod. C50**