

Chapeau

Design: Stefano Conficconi



Description

Chapeau is a masterpiece of elegant versatility, adaptable to any desire of comfort.

Its clean lines and comfortable cushions create a harmonious blend of sophistication and relaxation, while the upholstery enhances its timeless appeal.

The backrest features a reclining mechanism, allowing for personalized comfort and adaptability.

Perfect for both contemporary and classic interiors, Chapeau invites you to redefine your living space with a touch of refined simplicity.

Decorative cushions are included, padded with acrylic silicon microfiber.

Made in Italy.

Finishes & Materials

Internal Frame: Metal with elastic belts support.

Armrests & Backrest Structure: Electro welded mesh. The armrests feature solid fir wood as well.

Padding: Expanded polyurethane foam and acrylic fiber. The seat features silicon fiber as well.

Upholstery: Fabric or Leather.

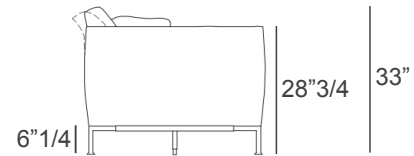
Frame Decorative Detail: Leather.

Frame & Legs: Metal.

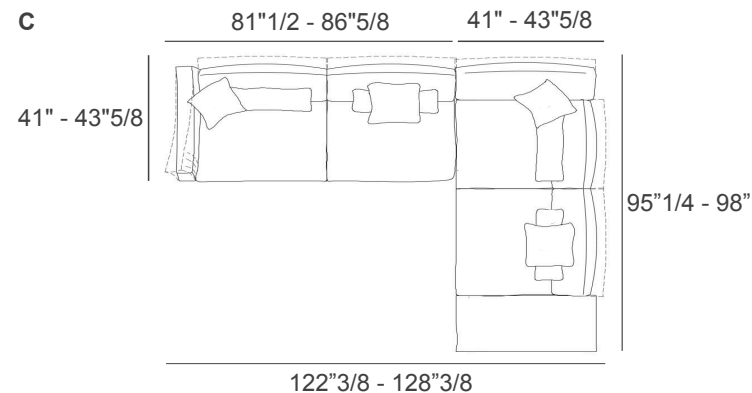
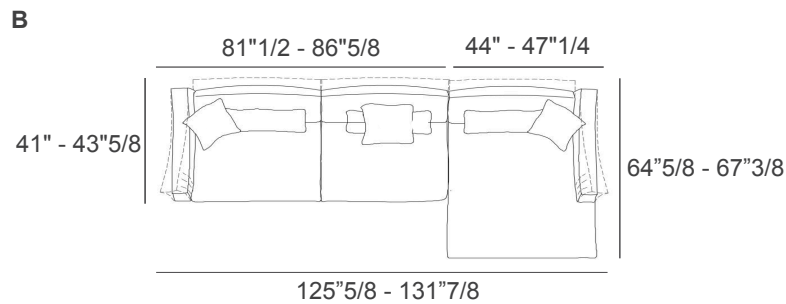
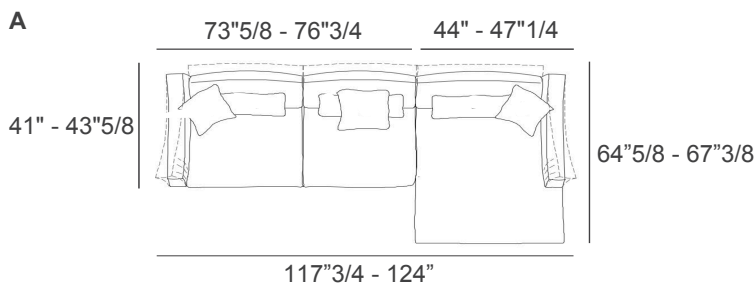
Chapeau

Compositions

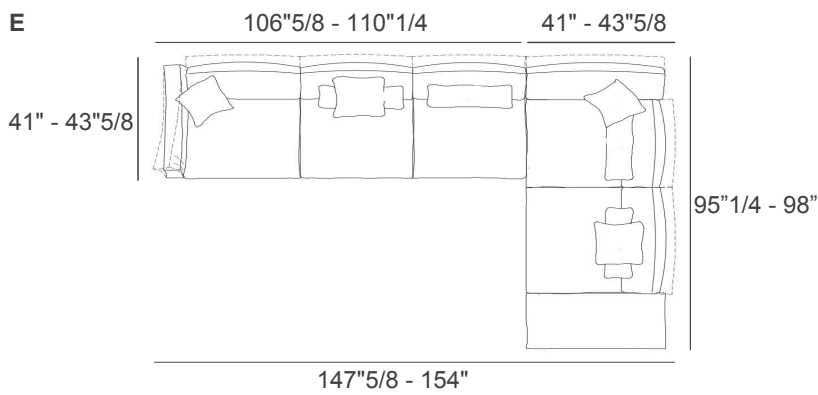
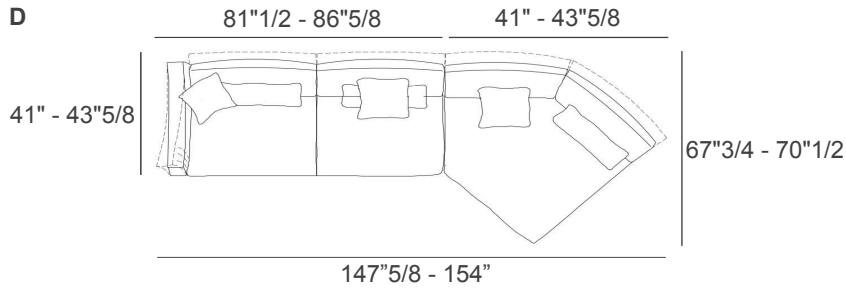
- A) 117"3/4 W - 124"W x 64"5/8D - 67"3/8D x 33"H - 07 + 18
- B) 125"5/8 W - 131"7/8W x 64"5/8D - 67"3/8D x 33"H - 19 + 18
- C) 122"3/8 W - 128"3/8W x 95"1/4D - 98"D x 33"H - 19 + 37
- D) 147"5/8 W - 154"W x 67"3/4D - 70"1/2D x 33"H - 19 + 28
- E) 147"5/8 W - 154"W x 95"1/4D - 98"D x 33"H - 09 + 37



Seat height: 16"1/2
Armrests height: 28"3/4



Chapeau



Decorative cushions included:

A) 19"5/8W x 19"5/8H

B) 23"5/8W x 9"7/8H

