

## Mademoiselle

Design: Marco Fumagalli



### Description

The Mademoiselle swivel armchair exudes a cheerful personality and timeless elegance.

Its well-defined silhouette and elegant design bring a touch of refinement to your home, enhancing the space with subtle charm. Soft and exceptionally comfortable, Mademoiselle gently embraces you, creating an inviting seating at the dining table.

This high-end armchair provides versatile customization options, offering a single-color version or a two-color version that allows the external shell to feature a distinct finish from the internal backrest and seat cushions.

Made in Italy.

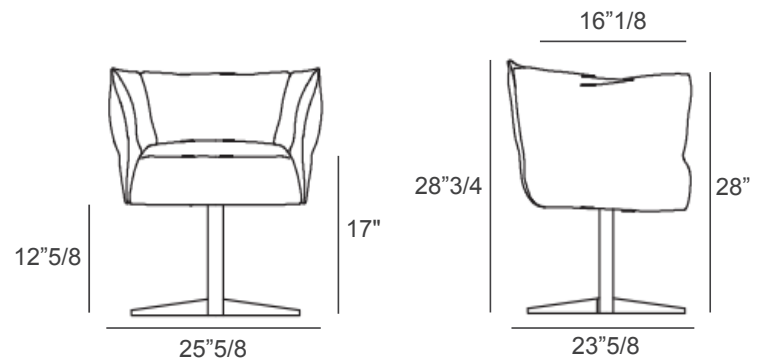
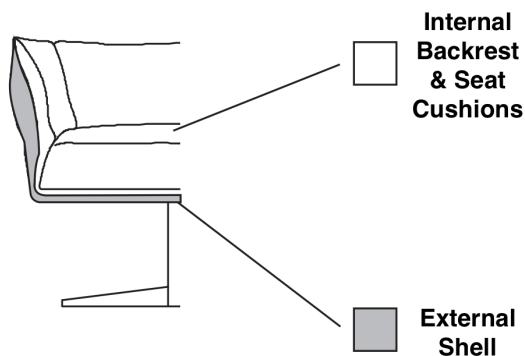
### Dimensions

25"5/8W x 23"5/8D x 28"3/4H

**Seat height:** 17"

**Armrests height:** 28"

**Seat depth:** 16"1/8



### Finishes & Materials

**Frame:** Metal.

**Padding:** Expanded polyurethane foam with different densities.

**Swivel Base:** Metal with a 180° return mechanism.