

## *Tango*

*Design: Federico Peri*



### *Description*

The name Tango evokes charm, elegance, and an awakening of dormant femininity—a creative impulse meant to captivate both you and your guests.

Like a graceful dancer, the Tango table combines slender, fluid lines with an underlying solidity and strength.

Its marble top, rich in granular texture, offers a journey through five distinct aesthetic realms. The choice is yours: take the first step and let Tango transform your space with its artistry and allure.

Made in Italy.

### *Finishes & Materials*

**Top:** Marble.

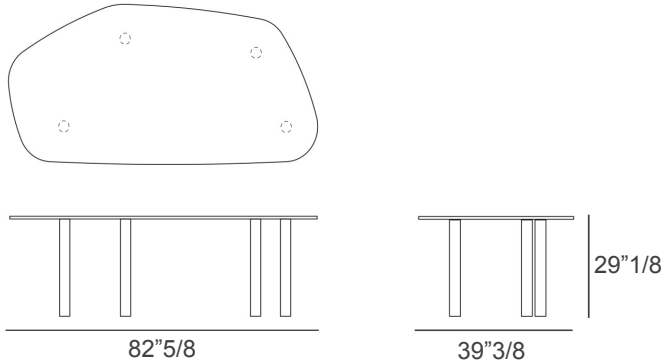
**Legs:** Metal or painted in RAL colors.

## Tango

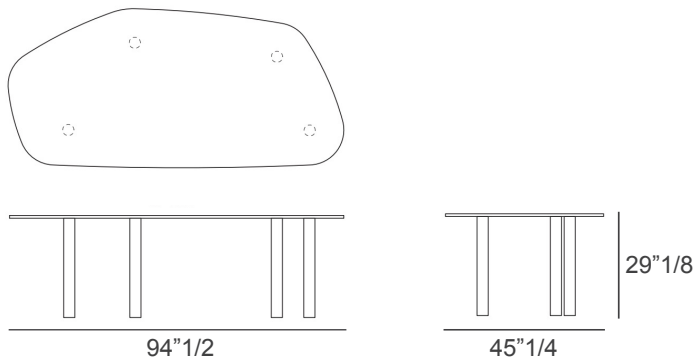
### Dimensions

- A) 82"5/8W x 39"3/8D x 29"1/8H
- B) 94"1/2W x 45"1/4D x 29"1/8H
- C) 114"1/8W x 45"1/4D x 29"1/8H

A)



B)



C)

