

Vogue

Design: Gianmaria & Stefano Conficconi



Description

The Vogue sectional embodies the architecture of wellness, combining refined sophistication with timeless design. Its structure is a harmonious fusion of 1960s rationalist geometry, characterized by clean, squared shapes, and an oriental-inspired appreciation for expansive surfaces meant for resting body and mind. The result is an elegant alcove—comprising of modules where precise, straight lines enhance this high-end design.

It provides versatile customization options, offering a single-color version or a two-color version that allows the external backrest and support frame to feature a distinct finish from the seat, armrests and back cushions.

Made in Italy.

Finishes & Materials

Frame: Metal supported by elastic belts.

Armrests Structure: Multilayer poplar wood.

Padding: Expanded polyurethane foam, covered with siliconized microfiber.

Upholstery: Fabric or Leather.

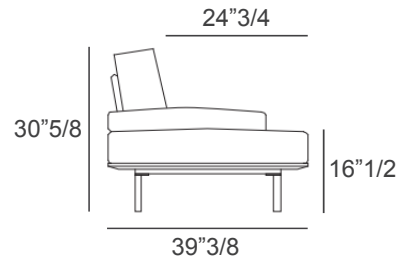
Legs: Metal.

Vogue

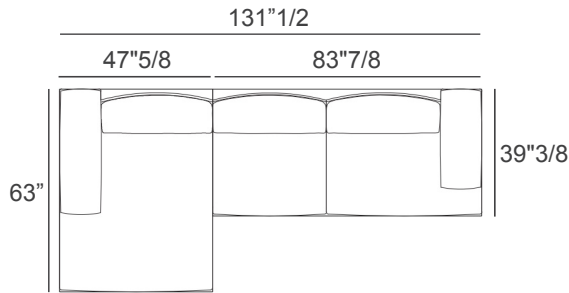
Compositions

- A) 131"1/2W x 63"D x 30"5/8H - Cod. 20+17
- B) 166"1/2W x 131"D x 30"5/8H - Cod. TR+78+TQ+30
- C) 146"7/8W x 119"1/4D x 30"5/8H - Cod. 75+04+30

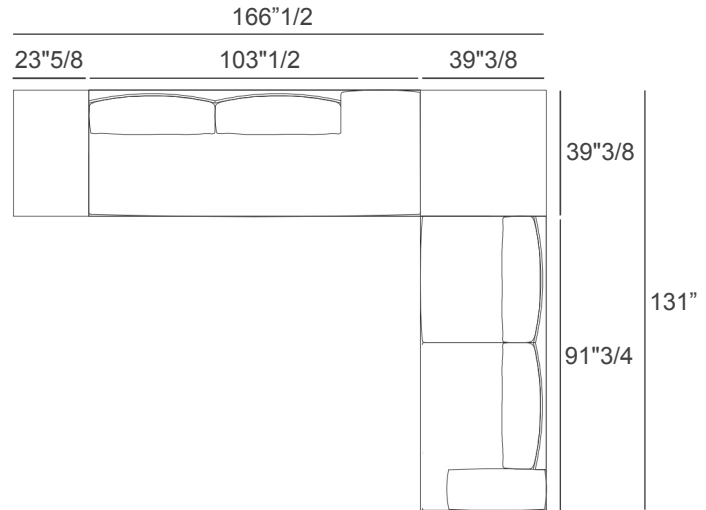
Seat height: 16"1/2
 Armrests height: 20"



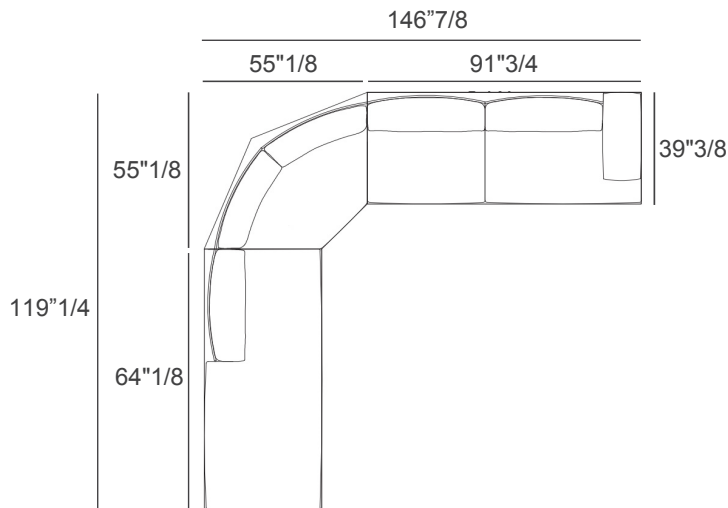
Comp. A



Comp. B



Comp. C



Color combination reference

