

Giass

Design: Sebastian Herkner



Description Ⓢ IP20 CE ENEC

The elegant Giass ceiling lamp with blown and sandblasted or colored glass diffuser, available in four different dimensions. Coated metal structure, satin polycarbonate screen.

Made in Italy.

Finishes & Materials

Structure: Metal.

Diffuser: Glass.

Giass

Dimensions

Size A: Ø9"7/8 x 19"5/8H

Size B: Ø11"7/8 x 17"3/4H

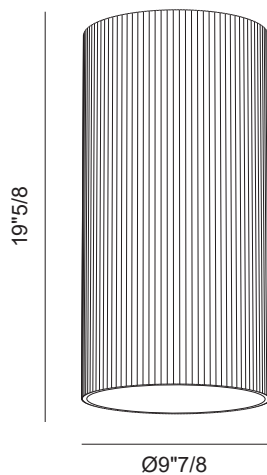
Size C: Ø15"3/4 x 13"3/4H

Size D: Ø19"5/8 x 9"7/8H

Light direction



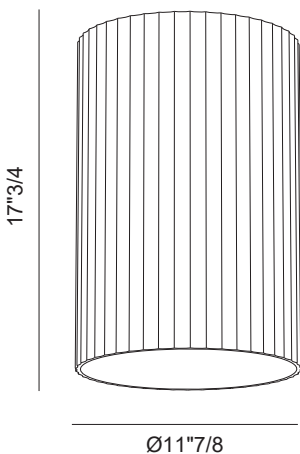
Size A



TECHNICAL DATA

Light source type	Board LED
Lamp power	1 x 21.5 W
Source luminous flux	1700 lm
Colour temperature	2700 K
CRI	>90
Feeding	120 V
Dimmable	0-10 V

Size B

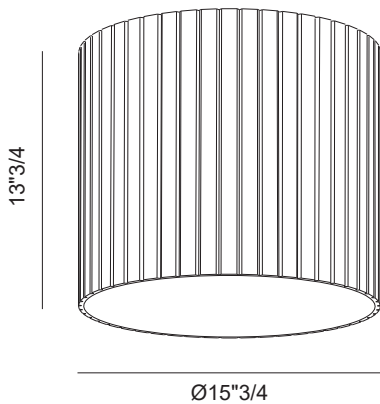


TECHNICAL DATA

Light source type	Board LED
Lamp power	1 x 27.5 W
Source luminous flux	2250 lm
Colour temperature	2700 K
CRI	>90
Feeding	120 V
Dimmable	0-10 V

Giass

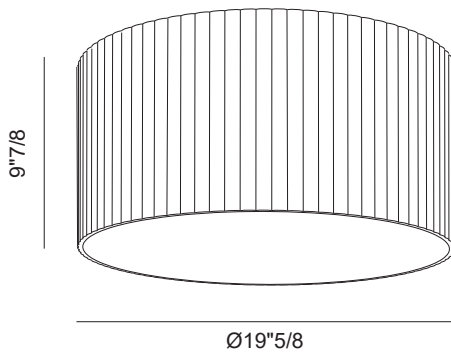
Size C



TECHNICAL DATA

Light source type	Board LED
Lamp power	1 x 35 W
Source luminous flux	3100 lm
Colour temperature	2700 K
CRI	>90
Feeding	120 V
Dimmable	0-10 V

Size D



TECHNICAL DATA

Light source type	Board LED
Lamp power	1 x 44 W
Source luminous flux	3950 lm
Colour temperature	2700 K
CRI	>90
Feeding	120 V
Dimmable	0-10 V