

Kate

Design: Francesca Smiraglia



Description ⊕ IP20 CE

The luxury Kate suspension lamp comes with an elegant opal diffuser and a premium aluminum coated structure. Made in Italy.

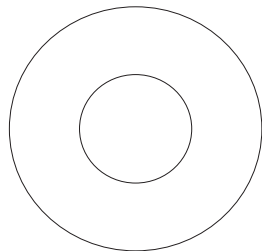
Finishes & Materials

Structure: Metal.

Kate

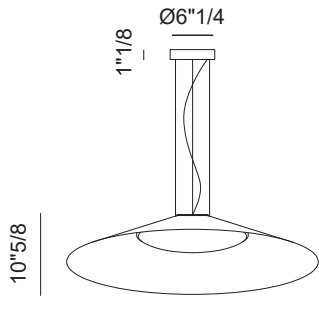
Dimensions

Ø35"3/8 x 10"5/8H



Ø15"3/4

35"3/8

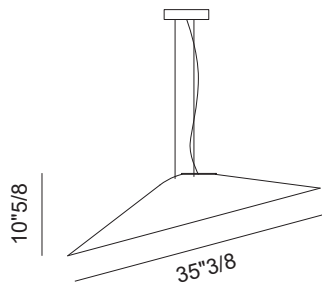


1"1/8

Ø6"1/4

10"5/8

35"3/8



10"5/8

35"3/8

Light direction



TECHNICAL DATA

Kate Suspension 2700 K

Light source type	Board LED
Lamp power	1 x 65 W
Source luminous flux	6600 lm
Colour temperature	2700 K
CRI	>90
Feeding	120 V
Dimmable	Yes
Dimming type	Phase cut

Kate Suspension 3000 K

Light source type	Board LED
Lamp power	1 x 65 W
Source luminous flux	6832 lm
Colour temperature	3000 K
CRI	>90
Feeding	120 V
Dimmable	Yes
Dimming type	Phase cut