

Kushi

Design: Alberto Saggia & Valerio Sommella



Description ⊕ IP20 CE EAC

The luxury Kushi suspension lamp. Opal diffuser made of two layers of mouth blown glass. Metallic body available in three coating finishes: black, copper and brass. Made in Italy.

Finishes & Materials

Structure: Metal.

Kushi

Light direction



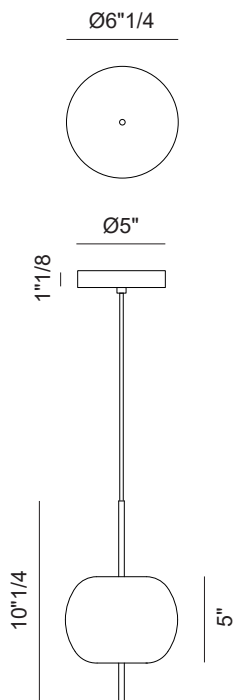
Dimensions

Size A: Ø6"1/4 x 10"1/4H

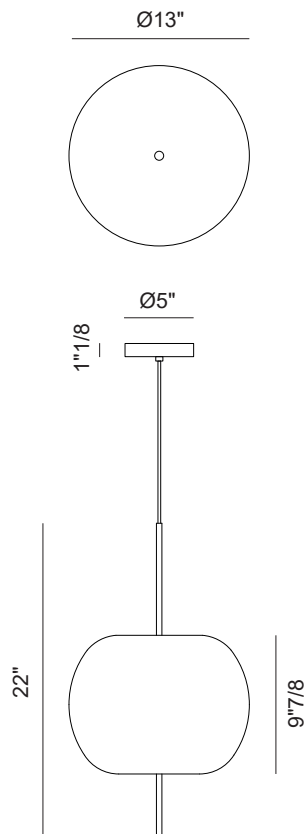
Size B: Ø13" x 22"H

Size C: Ø17" x 25"5/8H

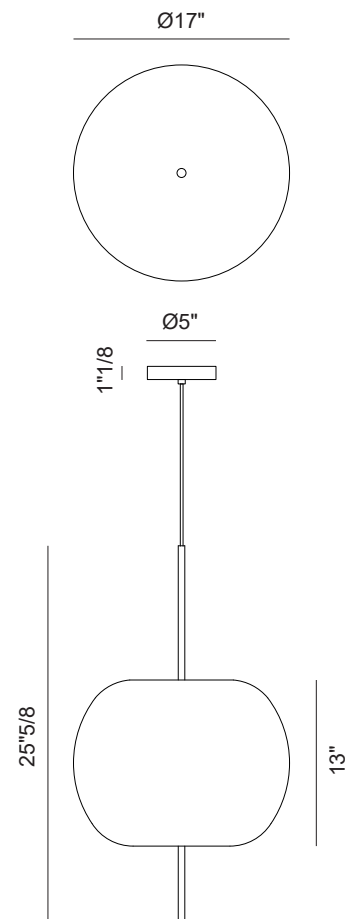
Size A



Size B



Size C



TECHNICAL DATA

Light source type	G9
Lamp power	1 x 25 W max
Feeding	120 V
Dimmable	Yes

TECHNICAL DATA

Light source type	E26
Lamp power	1 x 30 W max
Feeding	120 V
Dimmable	Yes

TECHNICAL DATA

Light source type	E26
Lamp power	2 x 70 W max
Feeding	120 V
Dimmable	Yes