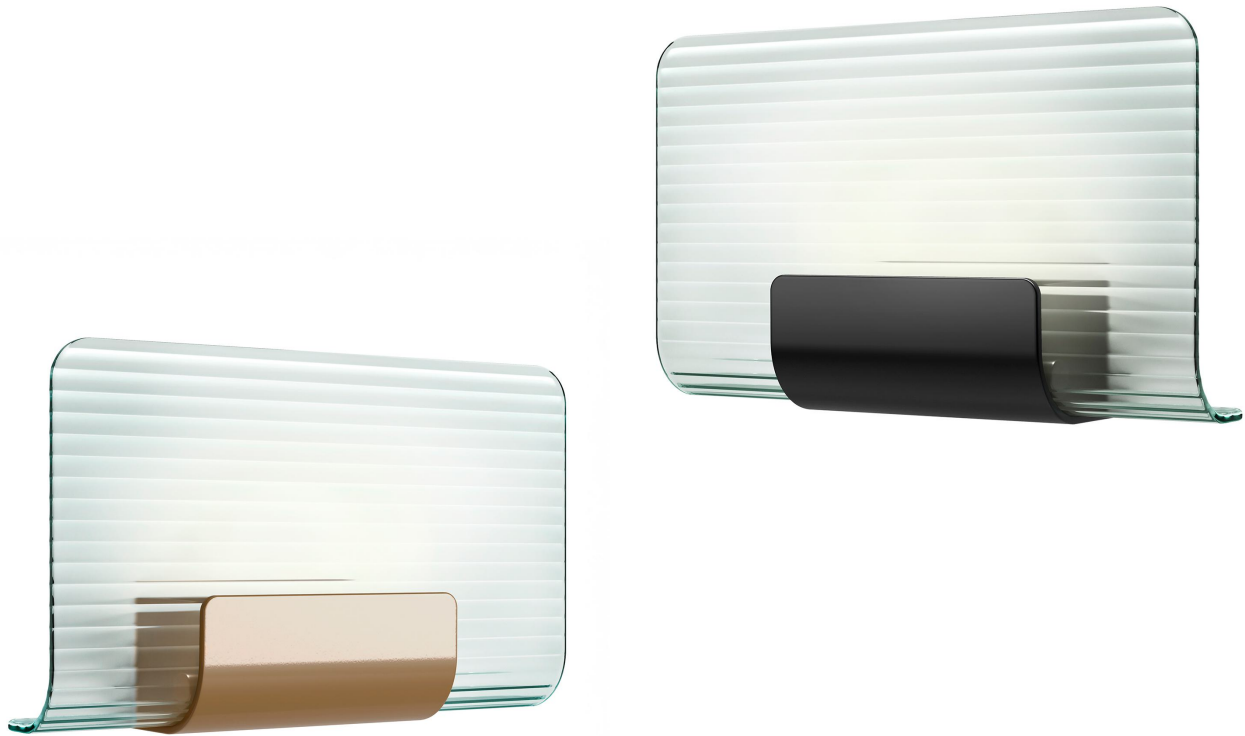


Nami

Design: Alberto Saggia & Valerio Sommella



Description  IP20   

The luxury Nami wall lamp comes with a textured and curved glass diffuser.
Premium die-casted varnished aluminum structure.
Made in Italy.

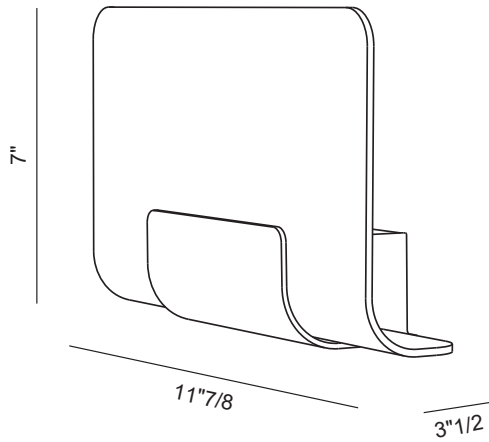
Finishes & Materials

Structure: Metal.

Nami

Dimensions

11"7/8W x 3"1/2D x 7"H



Light direction



TECHNICAL DATA

Light source type	board LED
Lamp power	1x12W
Source luminous flux	1320lm
Colour temperature	2700 K
CRI	>90
Feeding	120V
Dimmable	Phase cut