

Sling

Design: Chris Basias



Description  IP20 

The luxury Sling modular suspension lamp comes with a premium die-casted aluminum structure.
Made in Italy.

Finishes & Materials

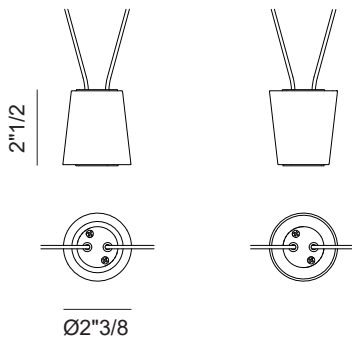
Structure: Metal.

Sling

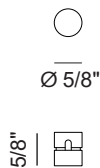
Dimensions

Single lamp: $\text{Ø}2\frac{3}{8} \times 2\frac{1}{2}\text{H}$
Comp. A: 2 Lamps
Comp. B: 4 Lamps
Comp. C: 2 Lamps
Comp. D: 7 Lamps
Comp. E: 6 Lamps
Comp. F: 9 Lamps

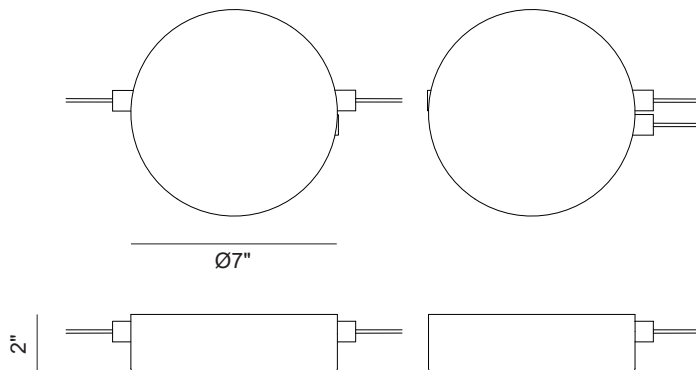
Single lamp



Cable holder



Driver kit



Light direction



TECHNICAL DATA

Sling 2700K

| | |
|----------------------|-----------|
| Light source type | Board LED |
| Lamp power | 1 x 5 W |
| Source luminous flux | 500 lm |
| Color temperature | 2700 K |
| CRI | >90 |

Sling 3000K

| | |
|----------------------|-----------|
| Light source type | Board LED |
| Lamp power | 1 x 5 W |
| Source luminous flux | 520 lm |
| Color temperature | 3000 K |
| CRI | >90 |

Driver kit

| | |
|--------------|---------------------------------|
| Power | 50 W |
| Output | Constant current 900mA max 54 V |
| Feeding | 120 V |
| Dimmable | Yes |
| Dimming type | 1-10V or push |

SYSTEM CAPABILITY

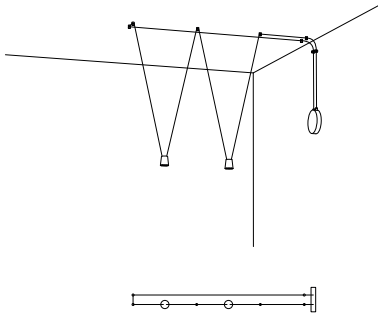
Current 900 mA

| Spot quantity | Forward voltage | MAX cable length |
|---------------|-----------------|------------------|
| 2 | 11.5 V | 328.1 ft |
| 3 | 17.1 V | 328.1 ft |
| 4 | 22.8 V | 328.1 ft |
| 5 | 25.8 V | 328.1 ft |
| 6 | 34.2 V | 262.5 ft |
| 7 | 39.9 V | 213.3 ft |
| 8 | 45.6 V | 180.5 ft |
| 9 | 51.3 V | 151 ft |

Sling

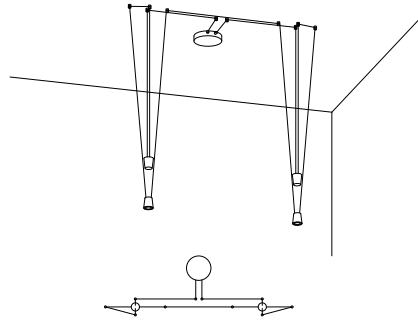
Comp. A

2 Lamps
Max cable length 328.1 feet
Adjustable



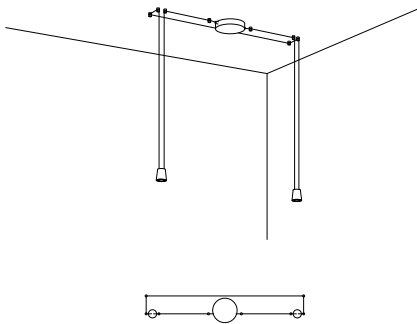
Comp. B

4 Lamps
Max cable length 328.1 feet
Adjustable



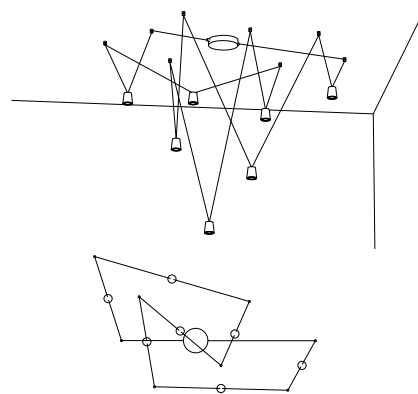
Comp. C

2 Lamps
Max cable length 328.1 feet
Adjustable



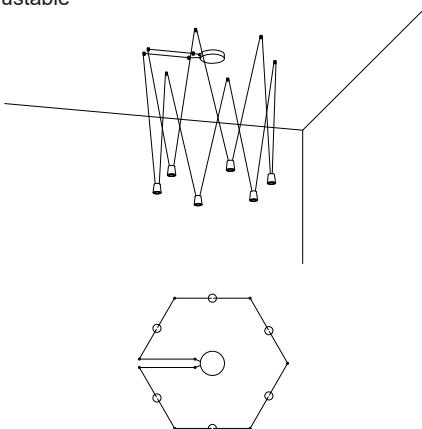
Comp. D

7 Lamps
Max cable length 213.3 feet
Adjustable



Comp. E

6 Lamps
Max cable length 262.5 feet
Adjustable



Comp. F

9 Lamps
Max cable length 151 feet
Adjustable

