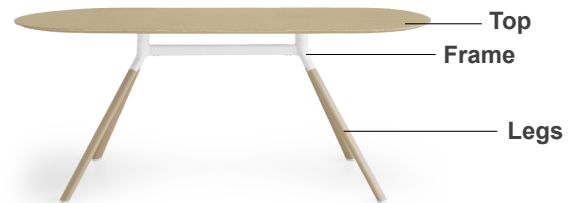


# Fork

*Design: Tomoya Tabuchi*



## *Description*

Fixed table with base composed of aluminum drawn tube with elliptical section and a 4-way connection in die-cast recycled aluminum powder coated with a fixing plate for the top. Legs in aluminum extrusion veneered in wood or powder coated in several finishes. Adjustable knurled glides in nylon. Tops with beveled edge in plywood of birch veneered in oak or in MDF if lacquered or in HPL Fenix®. Edges are lacquered in the same color of the top.

Fork table pays homage to the combination of Italian craftsmanship and Japanese minimalism. For working, meeting and playing. This table, whose legs resemble the branches of a tree, has been designed for everyday use, without forgoing a new and modern style. Made in Italy.

## Fork

---

### *Dimensions*

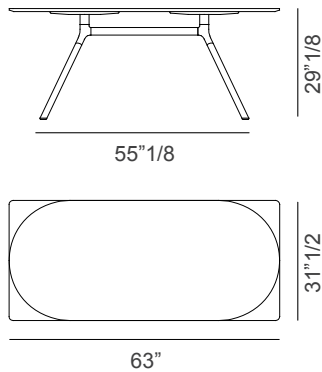
**Size A Oval or Rectangular top:**  
63"W x 31"1/2D x 29"1/8H

**Size B Oval or Rectangular top:**  
70"7/8W x 35"3/8D x 29"1/8H

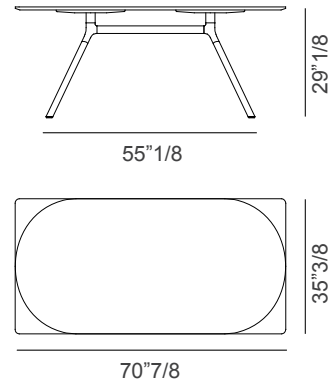
**Size C Oval or Rectangular top:**  
78"3/4W x 35"3/8D x 29"1/8H

**Size D Oval or Rectangular top:**  
94"1/2W x 35"3/8D x 29"1/8H

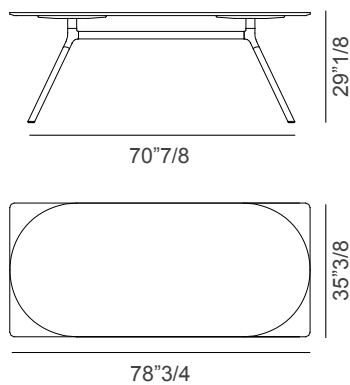
**Size A - Oval or Rectangular top**



**Size B - Oval or Rectangular top**



**Size C - Oval or Rectangular top**



**Size D - Oval or Rectangular top**

