

Lem

Design: Shin & Tomoko Azumi



Description

Stool with swivel seat and adjustable height offered in two options, with metal frame in matt chromed and base covered by a stainless steel sheet "linen fabric" pattern or entirely powder coated, matt chromed piston, or with metal frame powder coated, powder coated piston. Seat in plywood in several finishes. Felt under the base.

In 1969, man reached the Moon aboard the LEM (Lunar Excursion Module). In 2000, at the turn of the millennium, the LEM stool was born. The same lightness, the same absence of gravity which, in the vacuum created by the design, favors its relationship with the environment. When an environment requires functional and versatile furnishing solutions, the perfect choice is LEM, which with its innovative, soft and simple shape, combines practicality and style. Made in Italy.

Optional (only available for size B the option with frame in matt chromed):
. Self-returning mechanism to the original height and to the front position.

Lem

Dimensions

Counter stool:

14"5/8W x 16"1/2D x 24"3/4 to 29"1/2H

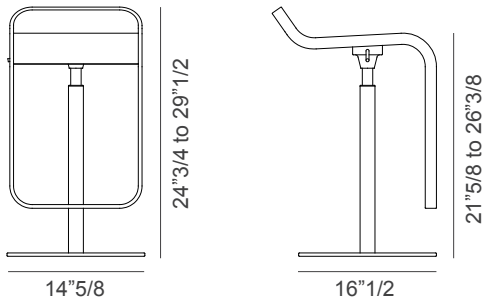
Seat height: 21"5/8 to 26"3/8

Bar stool:

14"5/8W x 16"1/2D x 29"1/8 to 34"1/4H

Seat height: 26" to 31"

Counter stool



Bar stool

