

Acco

Design: Florian Schmid



Description

Acco is an elegant dining table with a strong character that resists labelling. It displays a mature, sophisticated language, which is developed through the design of the base frame with its distinct regular pattern of wooden lines. Made in Italy.

Dimensions

Round A: Ø55"1/8 x 29"1/2H

Round B: Ø61" x 29"1/2H

Oval A: 78"3/4W x 47"1/4D x 29"1/2H

Oval B: 94"1/2W x 47"1/4D x 29"1/2H

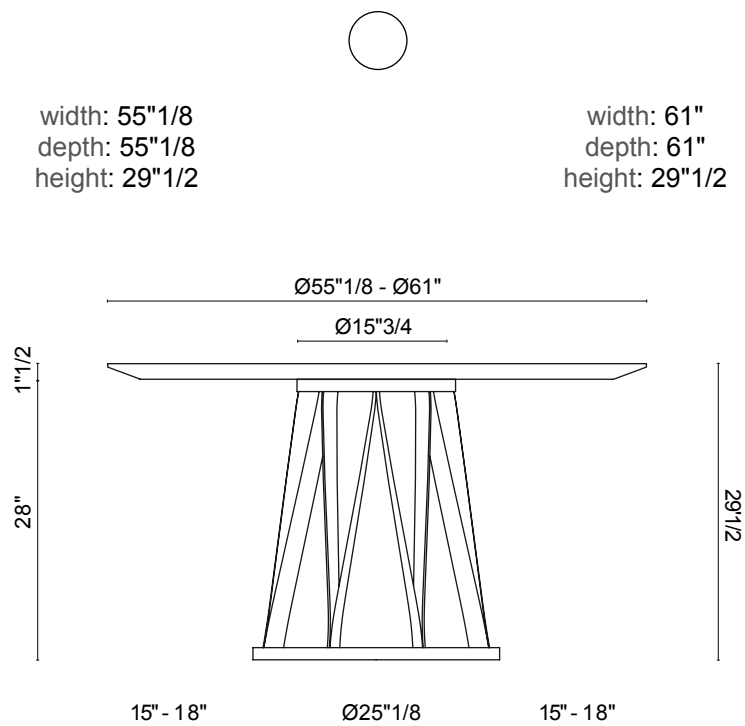
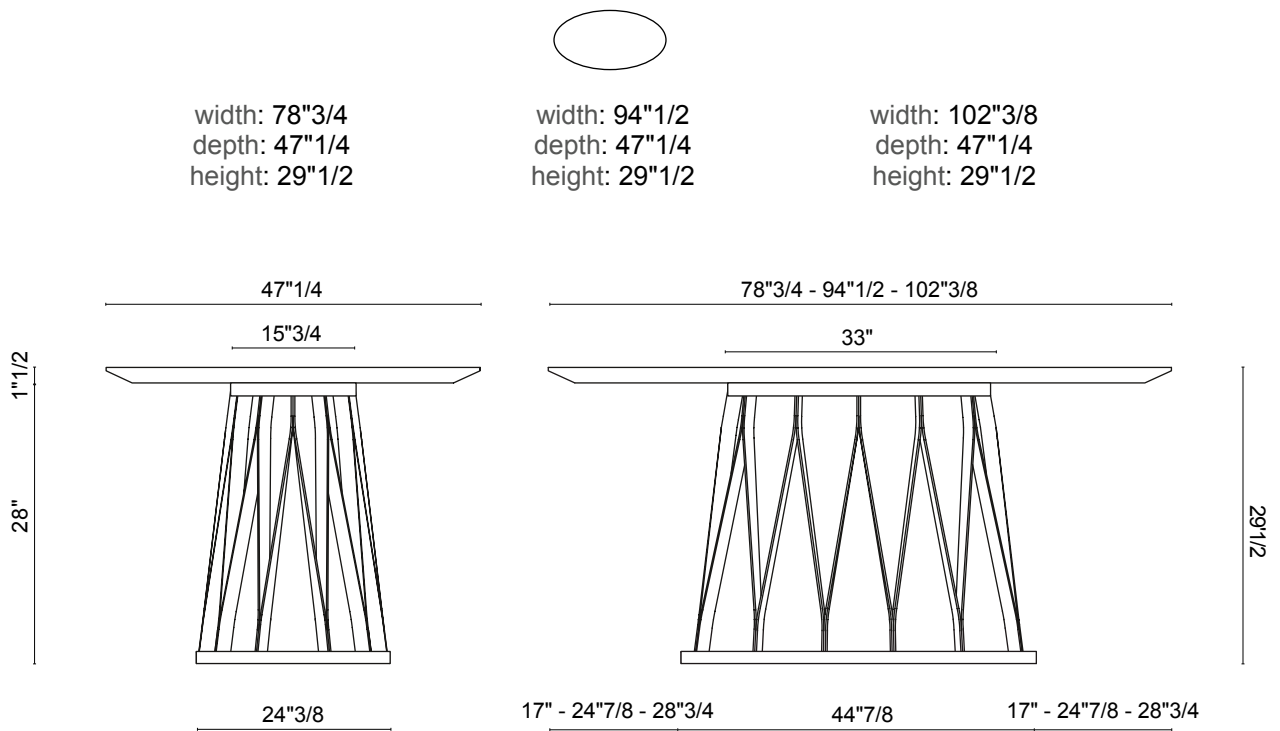
Oval C: 102"3/8W x 47"1/4D x 29"1/2H

Finishes and materials

Top: Glass, Wood or Porcelain Stoneware.

Base: Wood.

Dimensions



Dimensions



widht: Ø 51"1/8
depth: Ø 51"1/8
height: 29"1/2

widht: Ø 55"1/8
depth: Ø 55"1/8
height: 29"1/2

widht: Ø 59"
depth: Ø 59"
height: 29"1/2

