

## Iola Office

*Design: Studio E-GGS*



### *Description*

Iola embodies international design, prioritizing ergonomic form and bold character. Its shell-shaped body, crafted from expanded polyurethane, features extended wings that evolve into generous arms. A blend of fashion and modern classicism. Made in Italy.

### *Dimensions*

**Chair:** 20"1/2W x 22"7/8D x 32"5/8H (SH: 18"1/8)

**Armchair:** 22"5/8W x 22"7/8D x 32"5/8H (SH: 18"1/8 , AH: 25"5/8)

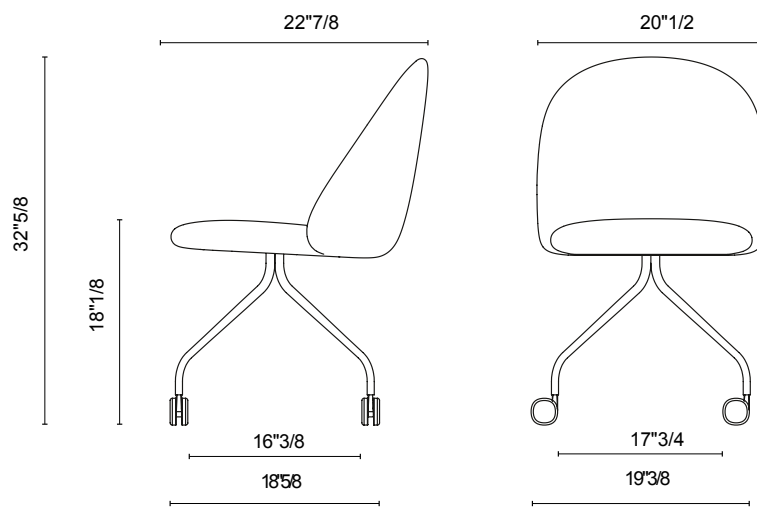
### *Finishes and materials*

**Cover:** Fabric.

**Legs:** Metal, lacquered in anthracite or black.

## Dimensions

width: 20"1/2  
 depth: 22"7/8  
 height: 32"5/8  
 seat height: 18"1/8



width: 22"5/8  
 depth: 22"7/8  
 height: 32"5/8  
 seat height: 18"

