

## Mariolina Wood

Design: Studio E-GGS

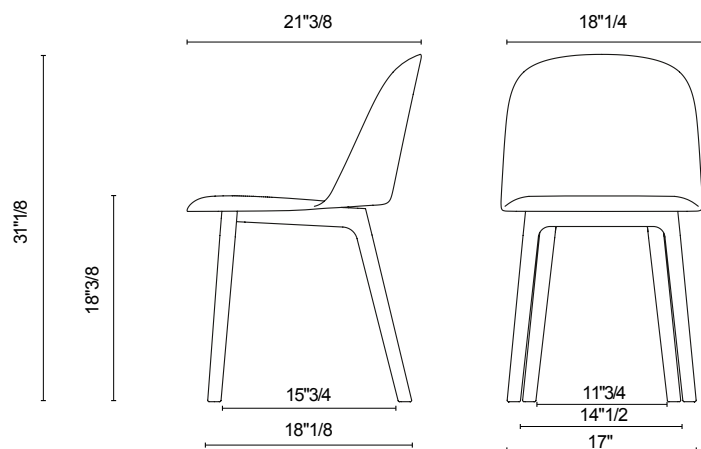


### Description

Mariolina blends modern polypropylene innovation with a clean, timeless aesthetic. Its simple, fluid design embodies a style rooted in the present yet free from fleeting trends. Crafted with contemporary techniques, Mariolina is an eclectic, practical choice for everyday life. Made in Italy.

### Dimensions

Size: 18"1/8W x 21"1/4D x 31" (SH: 18"3/8)



### Finishes and materials

Cover: Fabric.

Backrest: Polypropilene.

Legs: Wood.