

Pelleossa

Design: Francesco Faccin



Description

Pelleossa is a slim, versatile chair inspired by pre-industrial Italian design. Now featuring a durable rushed seat with a checkered weave, it pays homage to Chiavari chairs, blending tradition with timeless style. Made in Italy.

Dimensions

Chair: 17"W x 19"5/8D x 33"H (SH: 18"5/8)

Armchair: 19"5/8W x 20"7/8D x 33"7/8H (SH: 18"5/8 , AH: 26"1/2)

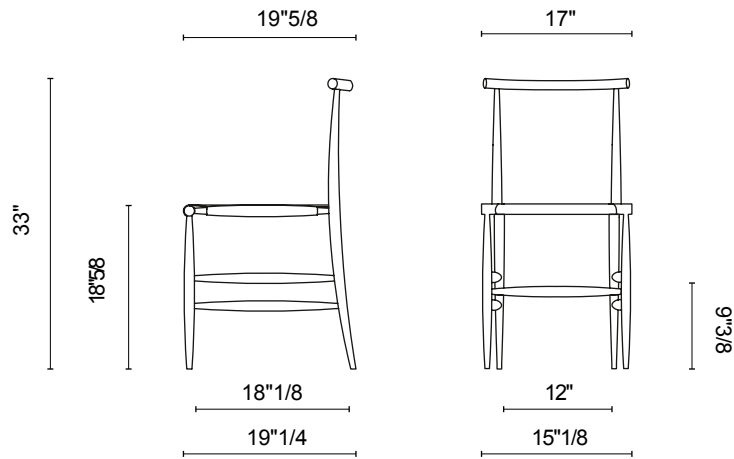
Finishes and materials

Seat: Traditional Straw.

Legs & Structure: Solid Wood.

Dimensions

width: 17"
depth: 19⁵/₈"
height: 33"



width: 19⁵/₈"
depth: 20⁷/₈"
height: 33⁷/₈"

