

4X4

Design: Giulio Manzoni



reddot award 2016
winner



Description

Extendable dining table with metal base, wooden, concrete or Marble Glass tops and extensions. Sliding metal guides and height-adjustable feet.

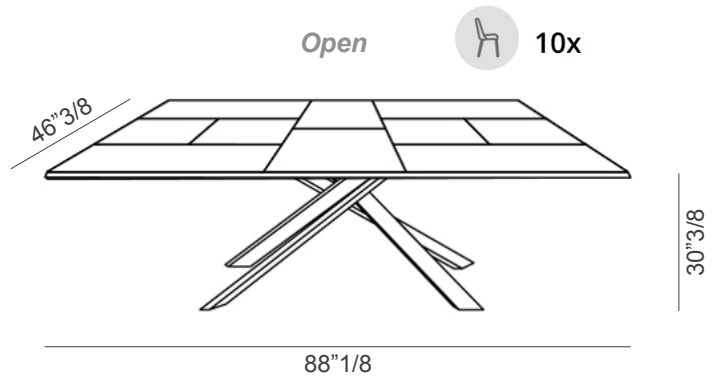
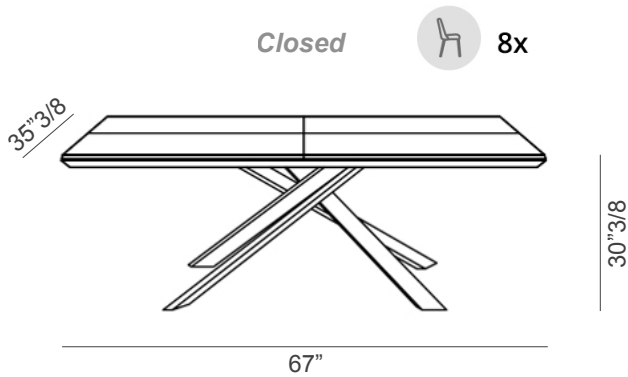
The new table 4x4 presents an exclusive opening system. The product changes in its shape and its outlook because of the extensions that, once open, cross the veins of top and give an elegant leitmotif. Renewed in the new Marble Glass finish, it maintains continuity in the design both with the table top closed and open. Made in Italy.



4X4

Dimensions

A: 67"W x 35"3/8D x 30"3/8H
 Extends to 88"1/8W x 46"3/8D x 30"3/8H



B: 78"3/4W x 39"3/8D x 30"3/8H
 Extends to 100"W x 54"3/8D x 30"3/8H

