

Big Round

Design: Marco Pozzoli / Andrea Lucatello



Description

Extendable and expandable dining table with metal base, wooden tops and extensions. Sliding metal guides and height-adjustable feet.

The Big Round extendable table represents the evolution and innovation of the round table mechanism. The patented opening mechanism is made up of a perfect overlapping of solidly held joints. The sophisticated design of the legs gives the product strength and personality. Particular attention is paid to the natural old oak finish enhanced by the central inlay that is only visible when the table is fully open. Made in Italy.



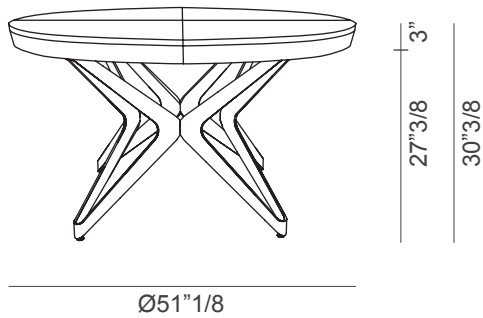
Big Round

Dimensions

Ø51"1/8 x 30"3/8H

Extends to 65"W x 65"D x 30"3/8H

Closed



Open

