

Gem

Design: Andrea Lucatello



Description

Fixed dining table with painted sheet metal base and height-adjustable feet. Wide range of tops in different sizes, shapes and finishes.

The simplicity of the different glass tops of the Gem table, with a double shaped beveled cross grinding edge and a straight ground polished edge, highlight the essential dynamism of the metal base in a double chromatic nuance or single color. The powerful geometric interlocking of the metal base attracts the attention of the living and gives this furniture a unique personality. Made in Italy.



Gem

Dimensions

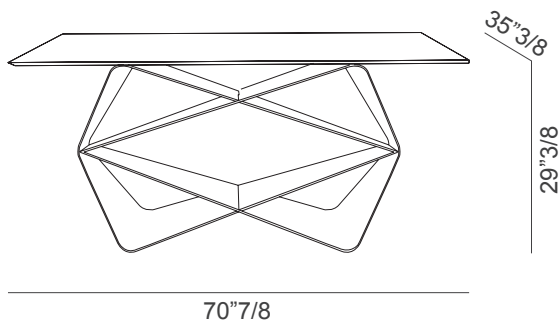
RECTANGULAR TOP

A: 70"7/8W x 35"3/8D x 29"3/8H

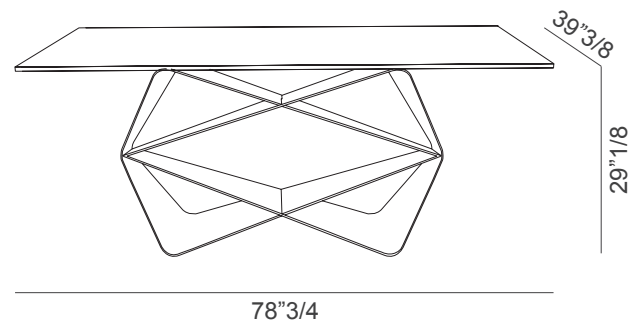
B: 78"3/4W x 39"3/8D x 29"1/8H

C: 94"1/2W x 43"1/4D x 29"1/8H

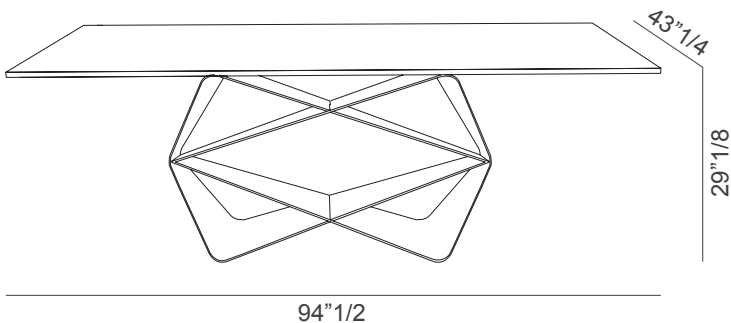
A Glass and Marble Glass top  8x



B Pyroceramic, glass and Marble Glass top  10x



C Glass top  12x



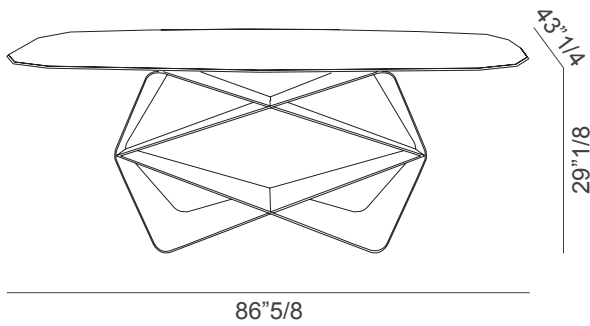
Gem

Dimensions

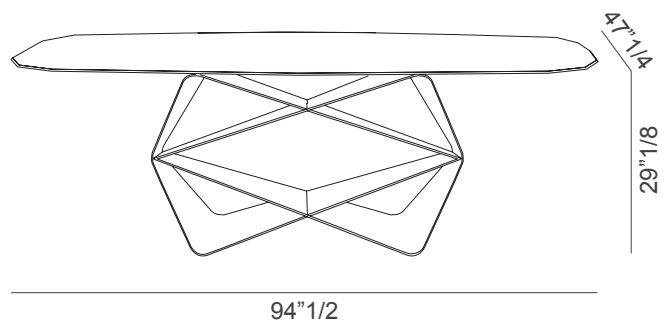
SHAPED TOP

- D: 86"5/8W x 43"1/4D x 29"1/8H
- E: 94"1/2W x 47"1/4D x 29"1/8H
- F: 102"3/8W x 47"1/4D x 29"3/8H
- G: 102"3/8W x 47"1/4D x 30"3/8H

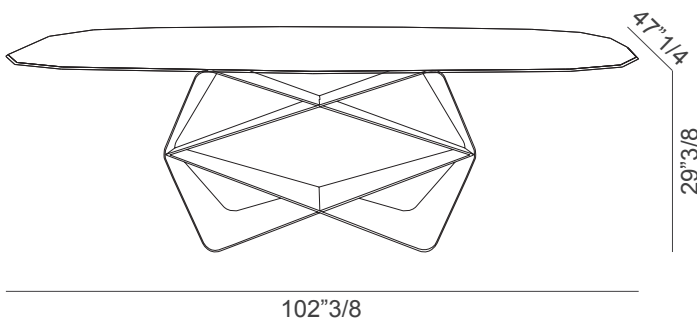
D *Pyroceramic, glass and Marble Glass top*  10x



E *Glass top with diamond edge*  12x



F *Pyroceramic top*  12x



G *Inlaid top*  12x

