

Carlton

Design: Stefano Conficconi



Description

Carlton, the elegant and contemporary sectional that will surprise you. Carlton changes the surrounding space with its modern style, adapting itself to your current needs. The innovative backrest, which moves back and forth, allows you to personalize your seating experience, in order to interpret the living room with your own originality. Beyond aesthetics, Carlton achieves a "bearable lightness of being" by delivering exceptional comfort without unnecessary bulk. This sectional embodies elegant eclecticism, capturing the essence of urban contemporary living.

It provides versatile customization options, offering a single-color version or a two-color version that allows the base to feature a distinct finish from the backrests, armrests and seat. Decorative cushions padded with siliconized microfiber are available as optionals.

Made in Italy.

Finishes & Materials

Structure: Metal supported by elastic belts.

Seat Cushion: Placed on a 3 different density polyurethane foam, which consists of a 3-layered quilted cover with an non-deformable foam insert.

Armrests: Wood covered in hypoallergenic goose feathers and polyurethane foam.

Backrests: Wood covered in polyurethane foam, equipped with a mechanism that allows two different seat depths.

Upholstery: Fabric or Leather.

Legs: Metal.

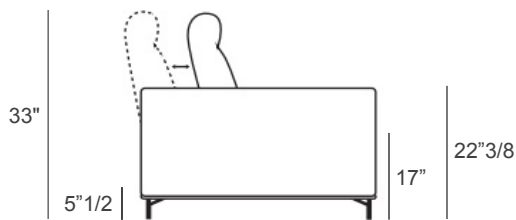
Carlton

Composition

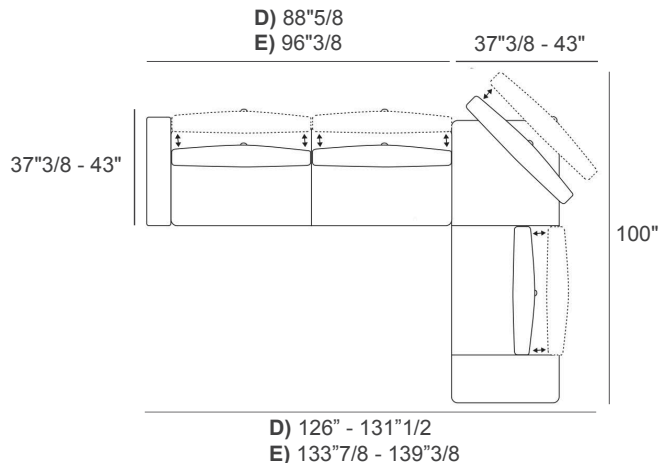
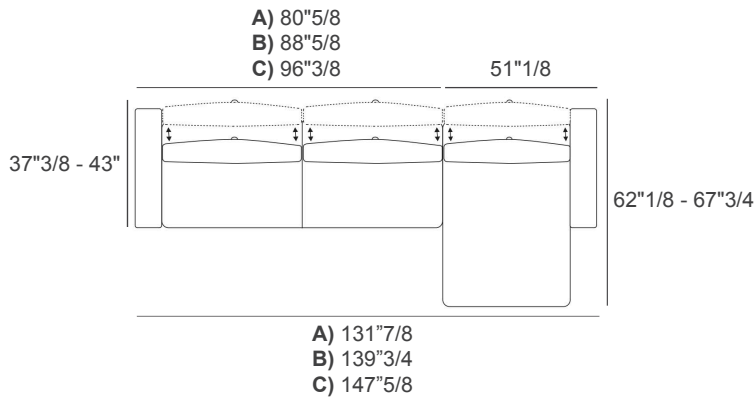
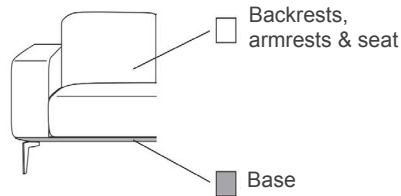
- A) 131"7/8W x 62"1/8D - 67"3/4D x 33"H - Cod. 07+18
- B) 139"3/4W x 62"1/8D - 67"3/4D x 33"H - Cod. 19+18
- C) 147"5/8W x 62"1/8D - 67"3/4D x 33"H - Cod. 29+18
- D) 126"W - 131"1/2W x 100"D x 33"H - Cod. 19+37
- E) 133"7/8W - 139"3/8W x 100"D x 33"H - Cod. 29+37
- F) 133"7/8W - 139"3/8W x 133"7/8D - 139"3/8D x 33"H - Cod. 29+40+30
- G) 177"1/8W x 37"3/8D - 43"D x 33"H - Cod. 17+03+18

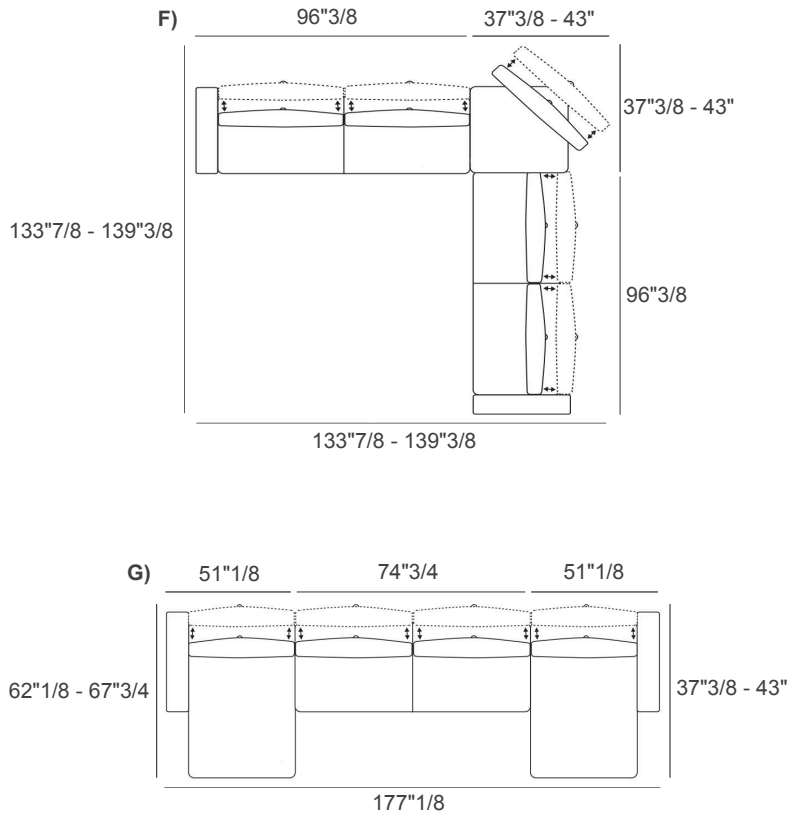
Seat height: 17"

Armrests height: 22"3/8



Color combination reference



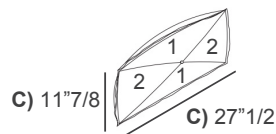
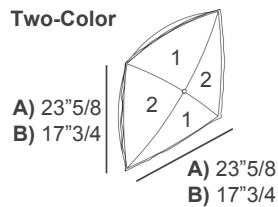


Optional decorative cushions

Two-Color:

- A) 23⁵/₈W x 23⁵/₈H - **Cod. C1**
- B) 17³/₄W x 17³/₄H - **Cod. C2**
- C) 27¹/₂W x 11⁷/₈H - **Cod. C3**
- D) Ø19⁵/₈ - **Cod. CT**

Two-Color



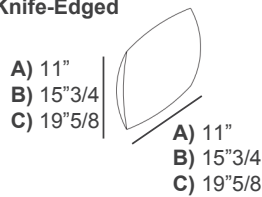
Please note:

The sections marked with the number 1 will be in one color, and the sections marked with the number 2 will be in a different color.

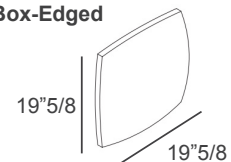
Knife-Edged:

- A) 11"W x 11"H - **Cod. C4**
- B) 15³/₄W x 15³/₄H - **Cod. C5**
- C) 19⁵/₈W x 19⁵/₈H - **Cod. C9**
- D) 27¹/₂W x 11⁷/₈H - **Cod. 10**

Knife-Edged



Box-Edged



Box-Edged:

- 19⁵/₈W x 19⁵/₈H - **Cod. C50**