

Edge

Design: Marco Fumagalli



Description

Edge table boasts a sleek, corner-free design that exudes elegance and versatility. Its top is beautifully framed by Leather, creating a harmonious blend of textures. Slim, varnished wooden legs feature subtle Leather piping, adding a refined touch to the overall aesthetic.

The result is an exceptionally lightweight and adaptable piece, perfect for seamlessly combining different materials in any space.

Sizes "A", "B" and "C" feature a Leather edge available in two versions: single pattern or mixed patterns.

Made in Italy.

Finishes and Materials

Top: Glass or Ceramic.

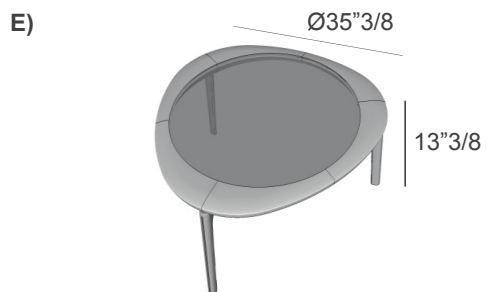
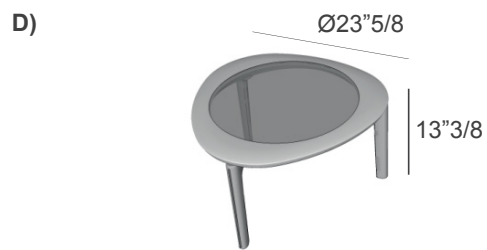
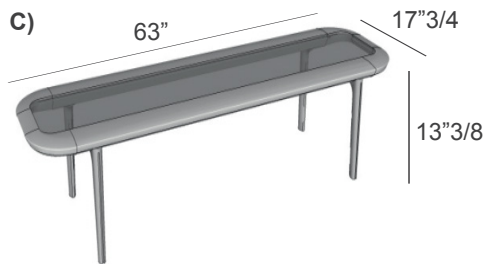
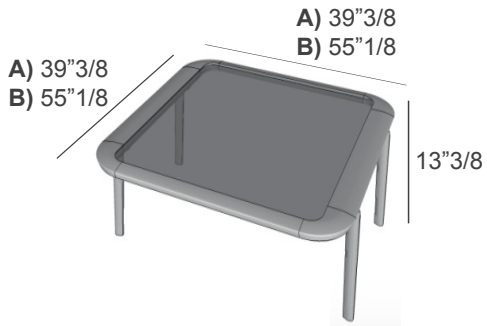
Top Edge: Leather.

Legs: Wood painted in glossy titanium with a Leather piping.

Edge

Dimensions

- A) 39"3/8W x 39"3/8D x 13"3/8H - *Cod. TQP*
- B) 55"1/8W x 55"1/8D x 13"3/8H - *Cod. TQG*
- C) 63"W x 17"3/4D x 13"3/8H - *Cod. TR*
- D) Ø23"5/8 x 13"3/8H - *Cod. TPP*
- E) Ø35"3/8 x 13"3/8H - *Cod. TPG*



Leather edge sections reference

