

## Eva II

Design: Gianmaria Conficconi



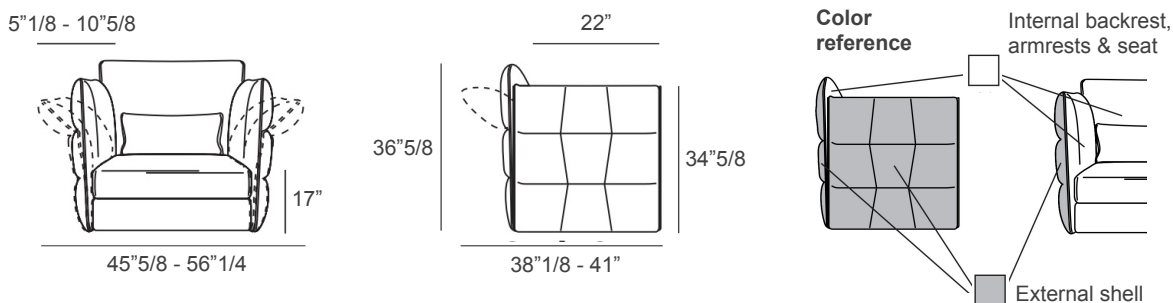
### Description

The Eva II design seamlessly blends into both modern and classic interiors, making it a versatile choice for any room in your home. Its soft, enveloping backrest, padded with sterilized, anti-allergy goose feathers, offers ultimate comfort and support. Take a seat, unwind, and recharge—this is relaxation at its finest. This high-end lounge chair features an adjustable backrest and armrests, and it includes a comfortable lumbar cushion. It provides versatile customization options, offering a single-color version or a two-color version that allows the external shell to feature a distinct finish from the inner backrest, armrests and seat. Made in Italy.

### Dimensions

45"5/8W - 56"1/4W x 38"1/8D - 41"D x 36"5/8H

Seat height: 17" | Armrests height: 34"5/8 | Armrests width: 5"1/8 - 10"5/8 | Seat depth: 22"



### Finishes & Materials

**Frame:** Wood supported by interwoven elastic belts.

**Padding:** Multi-density expanded polyurethane foam. Also, the seat and lumbar cushion are filled with sterilized hypoallergenic goose feathers.

**Upholstery:** Fabric and Leather.

**Feet:** Shock-absorbing plastic.