

Eva II

Design: Gianmaria Conficconi



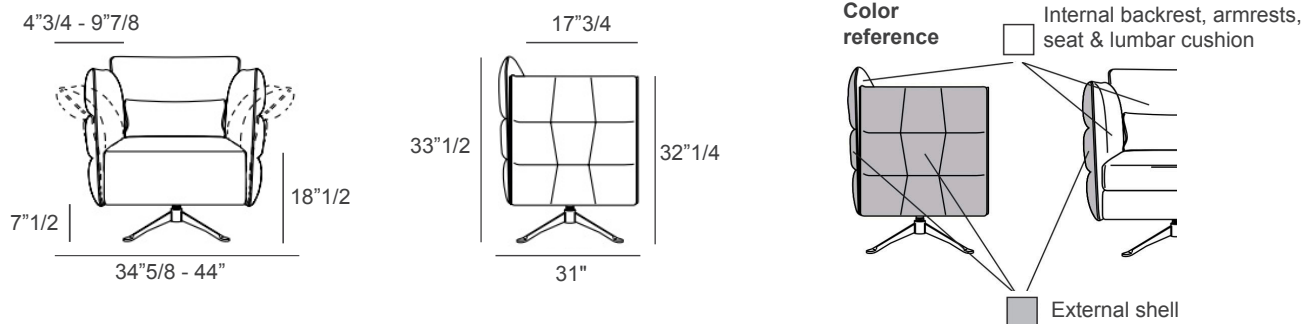
Description

The Eva II design seamlessly blends into both modern and classic interiors, making it a versatile choice for any room in your home. Its soft, enveloping backrest, padded with sterilized, anti-allergy goose feathers, offers ultimate comfort and support. Take a seat, unwind, and recharge—this is relaxation at its finest. This high-end lounge chair features adjustable armrests, and it includes a comfortable lumbar cushion. It provides versatile customization options, offering a single-color version or a two-color version that allows the external shell to feature a distinct finish from the inner backrest, armrests and seat. Made in Italy.

Dimensions

34⁵/₈W - 44"W x 31"D x 33¹/₂H

Seat height: 18¹/₂" | Armrests height: 32¹/₄" | Armrests width: 4³/₄ - 9⁷/₈" | Seat depth: 17³/₄"



Finishes & Materials

Frame: Wood supported by interwoven elastic belts.

Padding: Multi-density expanded polyurethane foam. Also, the seat and lumbar cushion are filled with sterilized hypoallergenic goose feathers.

Upholstery: Fabric and Leather.

Swivel Base: Metal with a 360° rotating mechanism.